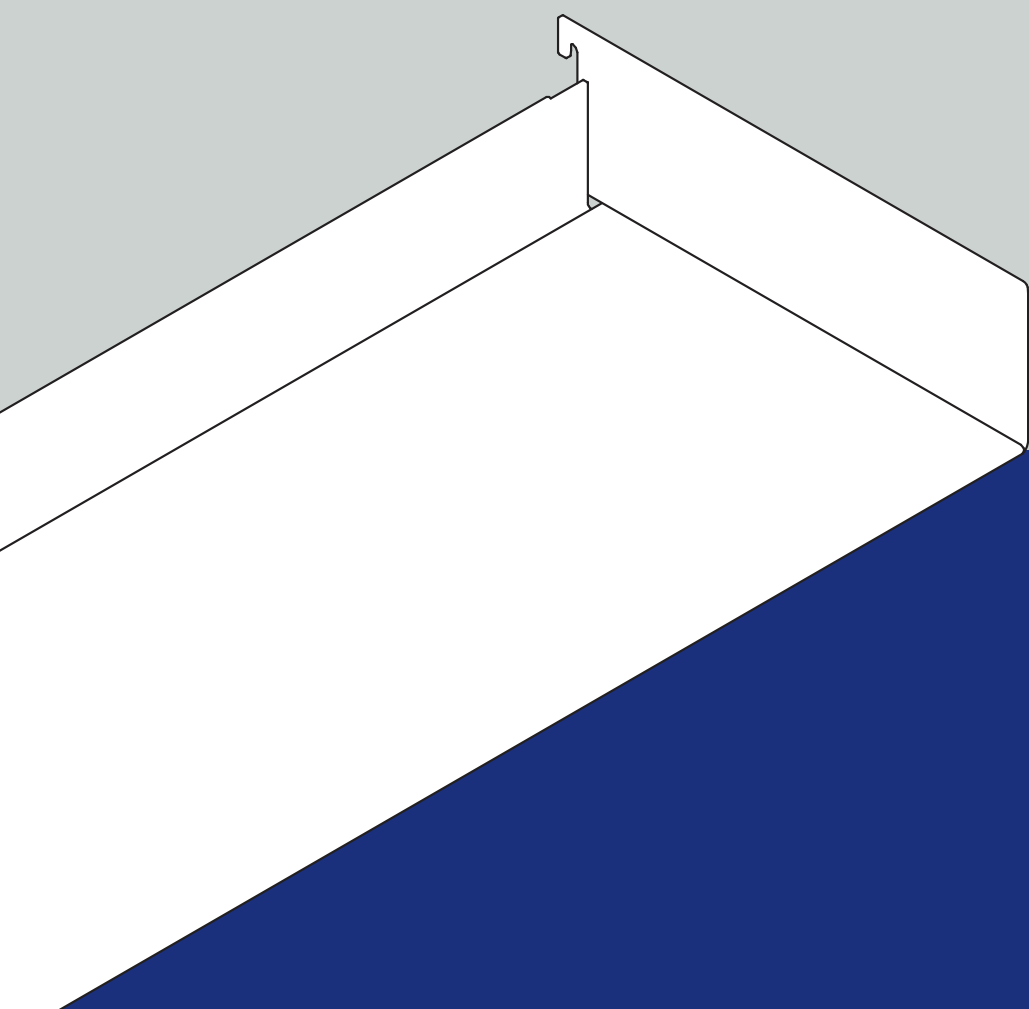




Planning book

- System M Shelf
- System M Sideboard
- System M Accesories
- System M Wallboard
- Table M04
- Lotus Table
- Side Table M05
- Side Table Kaiser
- Side Table Kanji
- Nitō
- Benchi
- Outdoor



Sales price list without VAT.
Valid from February 2024

S⁺ Systemmöbel

What do we expect from our furniture?
There are many different answers to this question. But even many opinions which are the same. Addition is a good keyword. Furnishings increase over time. Things will be added permanently and this is of course not only furniture. These are objects for everyday commodities, objects we don't need but which we like to have. Important things and unimportant ones. Pretty things and trivial ones. The human being is in the centre of all these things and stories because everything has to do with him. Wouldn't it be nice if some subjects would take back themselves so that others will attract more attention? Is there a kind of basic principle on which we can build up?

We like to produce this kind of furniture: the base. Furniture which appearance leaves space for other things. Because our furniture always gets there where something exists and they should not eliminate but integrate themselves. To exist as a basis there should be many possibilities. But even then it must not always suit. Because we know that, we can adapt our furniture: to dimensions, to colours, to wishes. Following the fashion is foreign to us. We talk about validity.

Overview



S+ Collection

The Planning book is divided into programs

System M Shelf	P. 08	System M Sideboard	P. 28	Table M04	P. 60
Vertical wall profile	P. 10	Horizontal wall profile	P. 30	Stand alone table square	P. 62
C-profile for g-b. wall mounting	P. 11	Drawer shelf for h. wall profile	P. 31	Stand alone table rectangular	P. 63
Panel	P. 12	Drawer corpus 0.5 file level	P. 32	Stand alone table round	P. 65
Panel perforated	P. 13	Corpus open 1 file level	P. 33	Bar table round	P. 66
Hook, console, etc.	P. 14	Corpus open 1.5 file levels	P. 34	Accessories	P. 68
Shelf	P. 16	Corpus open 2 file levels	P. 35		
Shelf 0.5 file level	P. 17	Corpus open 2.5 file levels	P. 36	Lotus Table	P. 70
Ending and writing shelf	P. 18	Corpus open 3 file levels	P. 37	Lotus table square	P. 72
Sloping shelf 0.5 file level	P. 19	Fronts	P. 38	Lotus table rectangular	P. 73
Shelf for coat-hangers	P. 20	Foot, castors	P. 42		
Drawer shelf	P. 21	Table for horizontal wall profile	P. 43		
Drawer shelf 0.5 file level	P. 22				
Corpus 1 file level	P. 23	System M Accessories	P. 44		
Table	P. 27	Interior fittings and accessories	P. 46		
		System M Wallboard	P. 56		
		Horizontal wall profile	P. 58		
		Wallboard	P. 58		
		Pair of inner covers	P. 59		

Side Table M05	P. 74	Nitō	P. 92	Outdoor	P. 106
M05 Standard	P. 76	Nitō	P. 94	Lotus Table - Outdoor	P. 108
M05 Edition	P. 80	Accessories	P. 96	Side Table M05 - Outdoor	P. 110
				Side Table Kanji - Outdoor	P. 112
Side Table Kaiser	P. 82	Benchi	P. 102		
Large Kaiser	P. 84	Benchi	P. 104	Delivery conditions	P. 113
Small Kaiser	P. 85			Terms and Conditions	P. 114
Side Table Kanji	P. 86				
Kanji H	P. 88				
Kanji A	P. 89				
Kanji F	P. 90				

S+ Systemmöbel

Ten years of S+, that's right, but it's not the whole story either. We have already been manufacturing system furniture in Germany for 28 years. Our experience began in 1995 when we took over the production of a series of system furniture. Founded at that time as sdr+, we saved the furniture systems from being discontinued in Germany. Preservation was to be our task for many years and became our DNA. But in 2012, the licences for sdr+ came to an end and we were faced with the question of what to do with 18 years of experience and the Table M04 and the Side Table M05 in our luggage and decided to start something new. S+ Systemmöbel was born: new production possibilities and our direct contact with dealers, planners and end customers, their expectations and wishes gave rise to a new system that unites two classic themes in furniture history, the shelf and the carcass furniture. System M by Thomas Merkel is the basis of the S+ collection today. Continuously maintained and further developed, it is popular with planners and customers for its flexibility and adaptability. Further additions to the collection such as the Side tables Kaiser and Kanji and the Lotus Table were added in the following years. And most recently with other newly developed products such as Nitō, whose origins go back further than our own and Benchi from the year 2023, S+ continues to move forward today.

Design

Thomas Merkel is more than 25 years committed to this brand with his clear design. His wide experience is based on the collaboration with well-known designers and the realization of ideas into marketable products. His furniture are systems which can be individualized for the reason to integrate into the environment. They don't want to dominate but to fit. His work is quiet, balanced and appears always as a matter of course without asking questions. All his drafts show his vision of design: for him, design is more than only an idea. The detail and the realization are the determining differences in the quality of the completed product and the standards he sets himself every day. His work is thought-out, the details are worked out, changed, rejected and then achieved in a new way. Not different at any cost but always better in details. Until today his work is accompanied by numerous awards.

System M

System M is the basis for the things in life, for books and documents, for dishes and vases, for CDs and paper, for office and home, for the meeting room and for the living room. It can hold everything we like to store, to present or to hide. The basis will mostly be loaded much. Because of this it should be solid and long-lasting. This is not only valid for the structure but also for the appearance. The elements of the basic configuration consist of steel and have an epoxy powder coated surface. All parts of the System M are separately removable. Everything can be arranged in new ways and many things can be changed: A fold down door can be replaced by drawers, initially mounted on the wall and then placed on the floor. Many options are possible because we know that everything can change. System M will change like our furniture, too. It will grow and will adapt. We like to create a qualified basis for a furniture-system which meets the requirements. Your requirements.

Planning

This document shows all the possibilities offered by System M and our other furniture programmes. It lists the individual elements, gives their dimensions (WTH) and versions. The colours used correspond to the RAL colour system. For the colour selection, the article number must be supplemented with the respective letter for the colour: W, A, B, S or J.

W = Traffic white RAL 9016
A = Traffic grey A RAL 7042
B = Traffic grey B RAL 7043
S = Traffic black RAL 9017
J = Papyrus white RAL 9018
Special colours are possible.

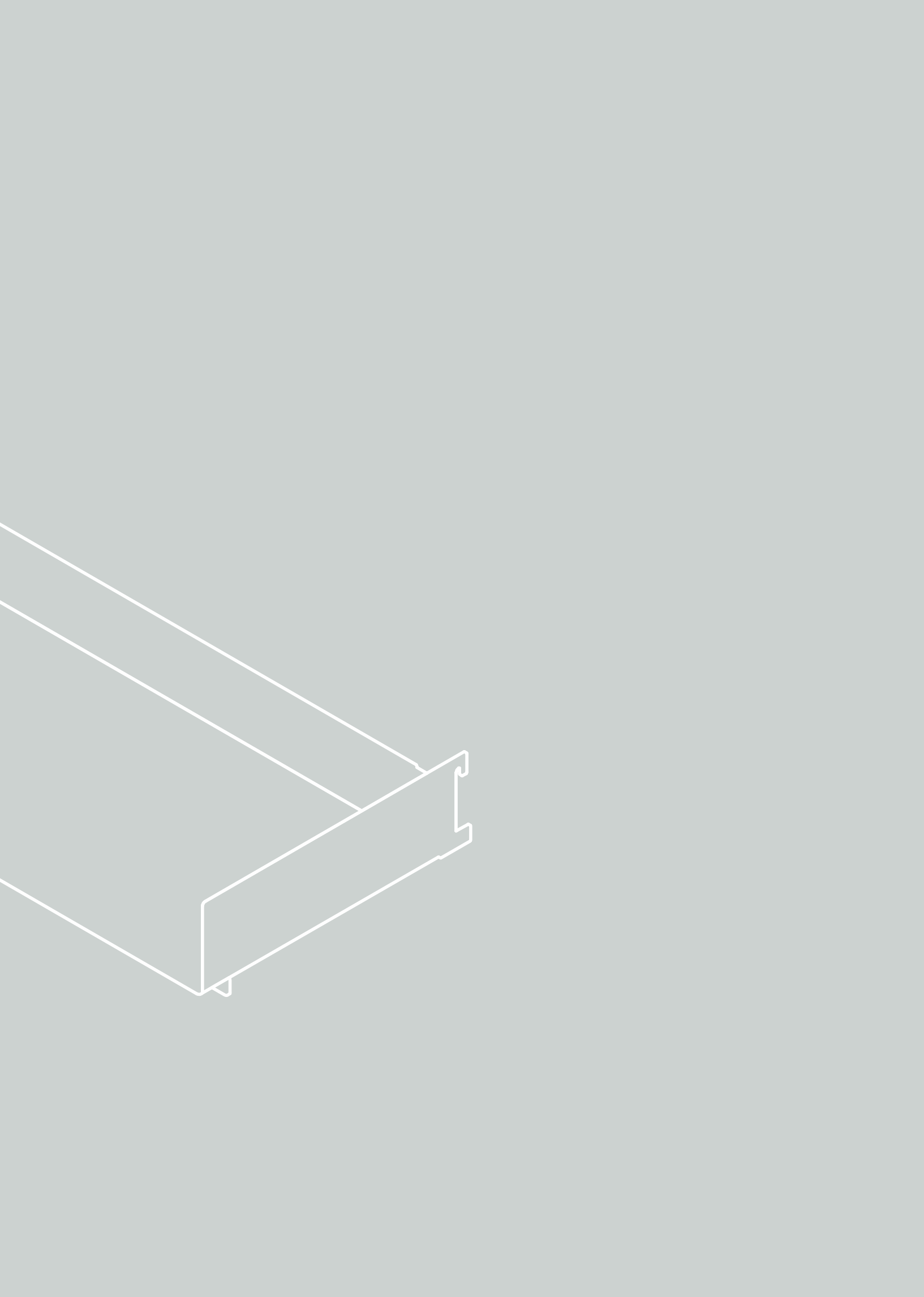
On our website, you will find corresponding configurators for all our furniture programmes, which make planning very easy for you. There you will also find many planning and price examples.

Mounting

Prerequisite for the installation are solid and resilient walls. Weaker walls can only carry smaller loads. The walls should be carefully considered before any planning. Included with the wall profiles are screws in size 5 x 60 mm, but no anchor bolts, because we do not know which walls are present. Only use anchor bolts that are suitable for the existing wall and observe the resulting possible loads that can accommodate the system. The longer the wall profiles, the more screw holes and the higher the load bearing capacity. For mounting on walls, you need a pencil, a ruler, an air level, a drill, a screwdriver and anchor bolts suitable for the existing wall. The vertical wall profiles serve as a mounting template.

Care

The elements of System M are equipped with a robust powder-coating. To remove light dirt, use best a soft, damp cotton cloth. Stronger impurities should be treated with water diluted household cleaner. To remove felt pen, pen and other stubborn stains the use of dilute alcohol or mineral spirits is recommended. Vinegar cleaner removes limescale. After cleaning, the surface is to be treated with a mild household detergent or water and wiped dry with a soft cloth or chamois leather. Please do not use any abrasive cleaners or nitro thinners or acid or alkaline cleaning agents. It is also advisable to remove stains immediately. For more information please visit www.systemmoebel-plus.com.



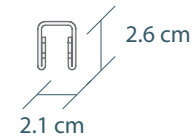
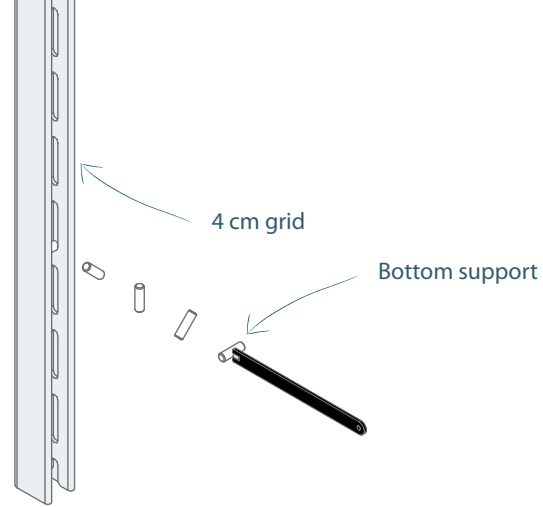
System M Shelf



Vertical wall profiles allow shelves and corpora to be hung in any order with a wide variety of fittings in the System M shelving by Thomas Merkel.

The shelves are suspended by means of a shelf support that can be inserted into the profile from the front and placed in a 4 cm grid.

Design: Thomas Merkel, 2011



Vertical wall profile

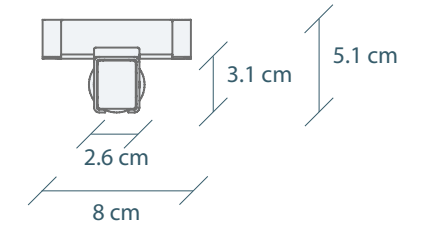
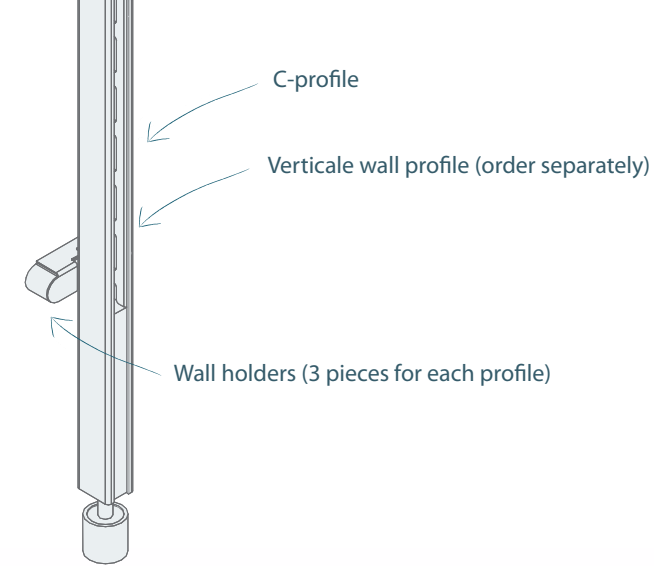
sheet steel 2 mm, powder-coated, with screws 5 x 60 mm for wall mounting

Article no.	Article			Sales price excl. VAT
M 110 000 044	Vertical wall profile 44 cm	3 screw holes	11 grid positions	47.00 €
M 110 000 064	Vertical wall profile 64 cm	4 screw holes	16 grid positions	53.00 €
M 110 000 084	Vertical wall profile 84 cm	5 screw holes	21 grid positions	59.00 €
M 110 000 104	Vertical wall profile 104 cm	6 screw holes	26 grid positions	66.00 €
M 110 000 124	Vertical wall profile 124 cm	7 screw holes	31 grid positions	72.00 €
M 110 000 144	Vertical wall profile 144 cm	8 screw holes	36 grid positions	78.00 €
M 110 000 164	Vertical wall profile 164 cm	9 screw holes	41 grid positions	84.00 €
M 110 000 184	Vertical wall profile 184 cm	10 screw holes	46 grid positions	91.00 €
M 110 000 204	Vertical wall profile 204 cm	11 screw holes	51 grid positions	98.00 €
M 110 000 224	Vertical wall profile 224 cm	12 screw holes	56 grid positions	104.00 €
^				
W	Traffic white			
J	Papyrus white			
A	Traffic grey A			
B	Traffic grey B			
S	Traffic black			

Vertical wall profiles will be screwed to the wall at intervals of 80 or 120 cm. They allow the hanging of different elements. A bottom support will be inserted vertically from the front in the profile, rotated by 90 degrees and is therefore safe in the hidden gridding of the profile. The grid for the bottom supports is 4 cm for optimal height classifications. If profiles will be added on each other the grid will be continued equally. All elements can be clipped in this way that the sides end above and

below with the profile. The distance of the screw holes is 20 cm. So the profiles can serve as a mounting template for the grid dimensions of 80 and 120 cm. Because of the fact that the upper and lower screw holes each have a distance from 2 cm to the end of the profile, that means that they are the same at the top and the bottom, it is not necessary to consider the direction of the profile while mounting it. For the total mass outside the grid dimensions (80 or 120 cm) have to be

summed up and 2.1 cm have to be added. The total depth of the shelving system (without grips) is the depth of the shelf or of the corpus 40 cm + 3.3 cm. For mounting proof and resilient walls are required. Weaker walls can only carry lower loads. For an easy mounting there should be a distance of 3-4 cm right and left next to the profiles. At the beginning of the mounting at a height of 32 cm (bore 34 cm) a corpus is placed at the table height of 72 cm.



C-profile for ground-based wall mounting

steel sheet 1.5 mm, powder-coated, with foot and adjustable foot

Article no.	Article	Sales price excl. VAT
M 120 000 204	C-profile for ground-based wall mounting 204 cm for vertical wall profile 184 cm	187.00 €
M 120 000 224	C-profile for ground-based wall mounting 224 cm for vertical wall profile 204 cm	197.00 €
M 120 000 244	C-profile for ground-based wall mounting 244 cm for vertical wall profile 224 cm	206.00 €

Set of 3 wall holders for c-profile with covers - steel, powder-coated, with screws 5 x 80 mm

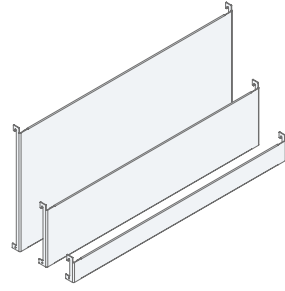
Article no.	Article	Sales price excl. VAT
M 123 008 002	Set of 3 wall holders for c-profile with covers	150.00 €

Spacer 1 cm for wall holders for c-profile - steel, powder-coated

Article no.	Article	Sales price excl. VAT
M 121 008 001	Spacer 1 cm for wall holders for c-profile	17.00 €
^		
W	Traffic white	
J	Papyrus white	
A	Traffic grey A	
B	Traffic grey B	
S	Traffic black	

Vertical wall profiles are inserted in the C-profiles and screwed to the wall in a distance of 80 or 120 cm by using three wall mounts per profile. All elements can be clipped in this way that the sides end above with the profile. The distance to the bottom is 20 cm for an element which is clipped below. The vertical wall profiles serve as a mounting template for the grid dimensions 80 and 120 cm. For the complete external dimension the grid dimensions (80 and accordingly 120 cm) have to

be summed up and 8 cm have to be added. The complete depth of the shelf (without grips) is the depth of one shelf or of a corpus 40 + 5.5 to 6.5 cm. The loads will be removed on the ground. Prerequisite for the installation are solid and resilient walls. Weaker walls can only carry lower loads. For an easy mounting there should be right and left 6-8 cm distance next to the profiles.

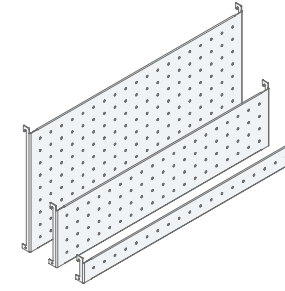


Panel

steel sheet 2 mm, powder-coated fine structure, with bottom supports

Article no.	Article	Sales price excl. VAT
M 210 080 008	Panel 80 x 8 cm	80.00 €
M 210 080 020	Panel 0.5 file level 80 x 20 cm	96.00 €
M 210 080 040	Panel 1 file level 80 x 40 cm	120.00 €
M 210 120 008	Panel 120 x 8 cm	106.00 €
M 210 120 020	Panel 0.5 file level 120 x 20 cm	128.00 €
M 210 120 040	Panel 1 file level 120 x 40 cm	165.00 €
^		
W	Traffic white	
J	Papyrus white	
A	Traffic grey A	
B	Traffic grey B	
S	Traffic black	

Panels can be hooked into the vertical wall profiles like shelves.



Panel perforated

steel sheet 2 mm, powder-coated fine structure, with punched holes Ø 6.5 mm, with bottom supports

Article no.	Article	Sales price excl. VAT
M 211 080 008	Panel perforated 80 x 8 cm	91.00 €
M 211 080 020	Panel perforated 0.5 file level 80 x 20 cm	120.00 €
M 211 080 040	Panel perforated 1 file level 80 x 40 cm	160.00 €
M 211 120 008	Panel perforated 120 x 8 cm	121.00 €
M 211 120 020	Panel perforated 0.5 file level 120 x 20 cm	166.00 €
M 211 120 040	Panel perforated 1 file level 120 x 40 cm	226.00 €
^		
W	Traffic white	
J	Papyrus white	
A	Traffic grey A	
B	Traffic grey B	
S	Traffic black	

Perforated panels can be hooked into the vertical wall profiles like shelves. They can also be fitted with hooks and consoles.



Hook

steel sheet 1.5 mm, powder-coated fine structure, with 2 threaded bolts

Article no.	Article	Sales price excl. VAT
M 212 002 010	Hook small 12 x 10 cm	44.00 €
M 212 004 014	Hook large 12 x 14 cm	49.00 €

Console

steel sheet 1.5 mm, powder-coated fine structure, with 2 threaded bolts and two holes for fixing a floor

Article no.	Article	Sales price excl. VAT
M 212 002 010	Console for depth 16 cm	55.00 €
M 212 004 014	Console for depth 24 cm	60.00 €
M 212 004 014	Console for depth 32 cm	69.00 €

^

W	Traffic white
J	Papyrus white
A	Traffic grey A
B	Traffic grey B
S	Traffic black

Hooks and brackets are fitted with M6 threaded bolts and can be attached to perforated panels.

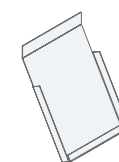
Consoles are provided individually for shelves in the maximum width of 40 cm and in pairs for shelves in the widths of 80 and 120 cm. They are each provided with two holes for fixing a shelf.

Shelves on site: W x D

396 x 160, 240 and 320 mm

796 x 160, 240 and 320 mm

1196 x 160, 240 and 320 mm

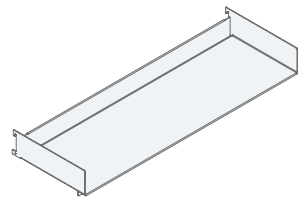


Brochure box DIN A4

steel sheet 1.5 mm, powder-coated fine structure, with 2 threaded bolts

Article no.	Article	Sales price excl. VAT
M 230 022 030	Brochure box DIN A4	49.00 €
	^	
W	Traffic white	
J	Papyrus white	
A	Traffic grey A	
B	Traffic grey B	
S	Traffic black	

Brochure boxes are equipped with M6 threaded bolts and can be attached to perforated panels.



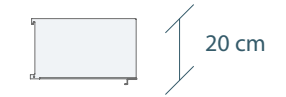
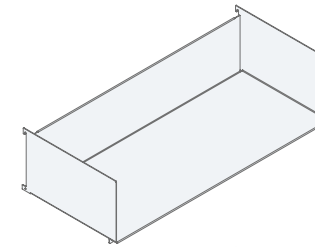
Shelf

steel sheet 2 mm, powder-coated fine structure, with bottom supports

Article no.	Article	Sales price excl. VAT
M 310 080 016	Shelf 80 x 16 cm	91.00 €
M 310 080 024	Shelf 80 x 24 cm	108.00 €
M 310 080 032	Shelf 80 x 32 cm	118.00 €
M 310 120 016	Shelf 120 x 16 cm	120.00 €
M 310 120 024	Shelf 120 x 24 cm	147.00 €
M 310 120 032	Shelf 120 x 32 cm	166.00 €
^		
W	Traffic white	
J	Papyrus white	
A	Traffic grey A	
B	Traffic grey B	
S	Traffic black	

Shelves are hooked into the vertical wall profile with bottom supports and can be placed in 4 cm increments. This results in clear distances between the shelves of 10, 14 (for CDs), 18, 22 (for DVDs and paperbacks), 26, 30, 34 (for files), 38 cm, etc. They are available in widths of 80 and 120 cm and in depths of 16, 24 and 32 cm. Depth 40 cm is available on request. The side height is 8 cm (10 cm including the bottom bend). Shelves close at the top and bottom with the vertical wall profiles.

The total depth in the shelf is shelf depth + 3.3 cm (for wall mounting). The shelf depth of 24 cm is ideal for many books. For heavy loads (e.g. illustrated books), the shelf width of 80 cm should be used.



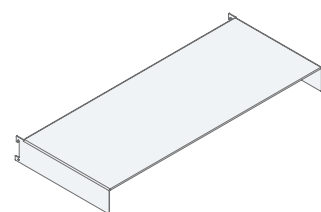
Shelf 0.5 file level

steel sheet 2 mm, powder-coated fine structure, with bottom supports

Article no.	Article	Sales price excl. VAT
M 320 080 024	Shelf 0.5 file level 80 x 24 cm	152.00 €
M 320 080 032	Shelf 0.5 file level 80 x 32 cm	170.00 €
M 320 080 040	Shelf 0.5 file level 80 x 40 cm	207.00 €
M 320 120 024	Shelf 0.5 file level 120 x 24 cm	209.00 €
M 320 120 032	Shelf 0.5 file level 120 x 32 cm	226.00 €
M 320 120 040	Shelf 0.5 file level 120 x 40 cm	265.00 €
^		
W	Traffic white	
J	Papyrus white	
A	Traffic grey A	
B	Traffic grey B	
S	Traffic black	

Shelves 0.5 file level are suspended with bottom supports in the vertical wall profile and can be placed in 4 cm increments. This results in clear distances between the shelves of 22, 26, 30, 34, 38 cm, etc. They are available in widths of 80 and 120 cm and depths of 24, 32 and 40 cm. The side height is 20 cm (22 cm including the bottom bend). The total depth in the shelf is shelf depth + 3.3 cm (for wall mounting). They are particularly suitable for storing files or illustrated

books, as their high sides make good bookends. They can be combined with shelves and hung to fit at the same height at the top or bottom.



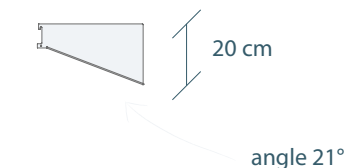
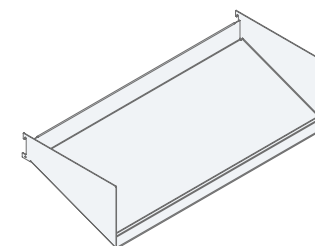
Ending and writing shelf

steel sheet 2 mm, powder-coated fine structure, with bottom supports

Article no.	Article	Sales price excl. VAT
M 330 080 024	Ending and writing shelf 80 x 24 cm	108.00 €
M 330 080 032	Ending and writing shelf 80 x 32 cm	118.00 €
M 330 080 040	Ending and writing shelf 80 x 40 cm	181.00 €
M 330 120 024	Ending and writing shelf 120 x 24 cm	147.00 €
M 330 120 032	Ending and writing shelf 120 x 32 cm	166.00 €
M 330 120 040	Ending and writing shelf 120 x 40 cm	229.00 €
^		
W	Traffic white	
J	Papyrus white	
A	Traffic grey A	
B	Traffic grey B	
S	Traffic black	

Ending and writing shelves are hooked into the vertical wall profile with bottom supports and can be placed in 4 cm increments. This results in clearances between the Ending and writing shelves of 10, 14, 18, 22, 26, 30, 34, 38 cm, etc. They are available in widths of 80 and 120 cm and depths of 24, 32 and 40 cm. The side height is 8 cm. The total depth in the shelf is shelf depth + 3.3 cm (for wall mounting). They can be placed next to carcasses at the same height as a writing

shelf or as a top shelf at the very top of the profile. In contrast to the shelf, the sides of the Ending and writing shelves face downwards.



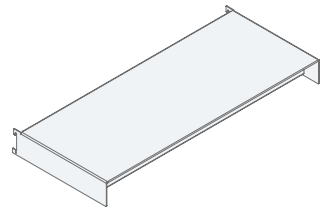
Sloping shelf 0.5 file level

steel sheet 2 mm, powder-coated fine structure, with bottom supports

Article no.	Article	Sales price excl. VAT
M 340 080 032	Sloping shelf 0.5 file level 80 x 32 cm	146.00 €
M 340 120 032	Sloping shelf 0.5 file level 120 x 32 cm	188.00 €
^		
W	Traffic white	
J	Papyrus white	
A	Traffic grey A	
B	Traffic grey B	
S	Traffic black	

Sloping shelves 0.5 file level are hooked into the vertical wall profile with shelf supports and can be placed in 4 cm increments. They are available in widths of 80 and 120 cm and in depths of 32 cm. The side height is 8 cm or 20 cm at the front. The total depth in the shelf is shelf depth 32 + 3.3 cm (for wall mounting). They are particularly suitable for presenting DIN A4 (upright) and DIN A3 (landscape) large magazines or books. They can be combined with shelves and

shelves 0.5 file level and placed at the same height.



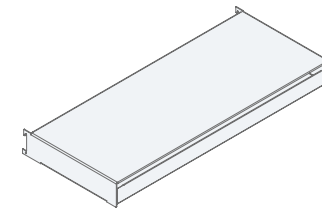
Shelf for coat-hangers

steel sheet 2 mm, powder-coated fine structure, with bottom supports

Article no.	Article	Sales price excl. VAT
M 360 080 032	Shelf for coat-hangers 80 x 32 cm	209.00 €
M 360 080 040	Shelf for coat-hangers 80 x 40 cm	251.00 €
^		
M 360 120 032	Shelf for coat-hangers 120 x 32 cm	275.00 €
M 360 120 040	Shelf for coat-hangers 120 x 40 cm	319.00 €
^		
W	Traffic white	
J	Papyrus white	
A	Traffic grey A	
B	Traffic grey B	
S	Traffic black	

Shelves for coat-hangers are hooked into the vertical wall profile with bottom supports and can be placed in 4 cm increments. They are available in widths of 80 and 120 cm and in depths of 32 and 40 cm. The side height is 8 cm. The centre of the clothes rail is approx. 6 cm from the front edge. The total depth in the shelf is shelf depth + 3.3 cm (for wall mounting). The shelves for clothes hangers can be placed next to writing shelves or drawer shelves at the same height. The distance

from the centre of the clothes rail to the wall is approx. 29 cm for depth 32 cm and approx. 37 cm for depth 40 cm when wall-mounted.

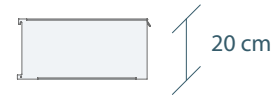
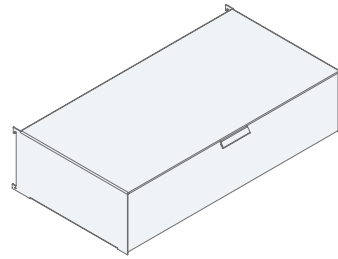


Drawer shelf

steel sheet 2 mm, powder-coated fine structure, with bottom supports, drawer gliding on felt

Article no.	Article	Sales price excl. VAT
M 335 080 032	Drawer shelf 80 x 32 cm	275.00 €
M 335 080 040	Drawer shelf 80 x 40 cm	321.00 €
^		
M 335 120 032	Drawer shelf 120 x 32 cm	331.00 €
M 335 120 040	Drawer shelf 120 x 40 cm	376.00 €
^		
W	Traffic white	
J	Papyrus white	
A	Traffic grey A	
B	Traffic grey B	
S	Traffic black	

Drawer shelves are hooked into the vertical wall profile with bottom supports and can be placed in 4 cm increments. They are available in widths of 80 and 120 cm and depths of 32 and 40 cm. The side height is 8 cm. The total depth in the shelf is shelf depth + 3.3 cm (for wall mounting). The drawer is guided on felt strips and is removable. The drawer shelves can be placed next to writing shelves or corpora at the same height.



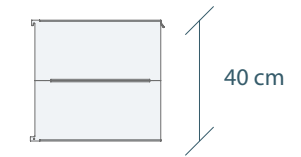
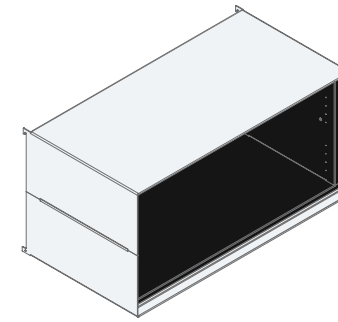
Drawer shelf 0.5 file level

steel sheet 2 mm, powder-coated fine structure or front wood-based panel veneered, with bottom supports

Article no.	Article		Sales price excl. VAT
M 350 080 040	Drawer shelf 0.5 file level 80 x 40 cm	inside 65 x 32.5 x 14 cm	750.00 €
M 350 080 040 SD	Drawer shelf 0.5 file level 80 x 40 cm	inside 65 x 32.5 x 14 cm	933.00 €
M 350 120 040	Drawer shelf 0.5 file level 120 x 40 cm	inside 105 x 32.5 x 14 cm	893.00 €
M 350 120 040 SD	Drawer shelf 0.5 file level 120 x 40 cm	inside 105 x 32.5 x 14 cm	1124.00 €
^			
W	Traffic white		
J	Papyrus white		
A	Traffic grey A		
B	Traffic grey B		
S	Traffic black		
SD	Traffic black / Brushed oak, lacquered black		

Drawer shelves 0.5 file level are hooked into the vertical wall profile with bottom supports and can be placed in 4 cm increments. They are available in widths of 80 and 120 cm and in depths of 40 cm. The side height is 20 cm. The total depth in the shelf is shelf depth 40 + 3.3 cm (for wall mounting). They can be placed next to corpora at the same height. The drawer has self-closing and damping. The interior is Traffic black.

In the version SD = Traffic black / Brushed oak, lacquered black, a wood-based panel is veneered for the front, stained black and lacquered. The corpus and the handle are in the version sheet steel powder-coated Traffic black fine structure.

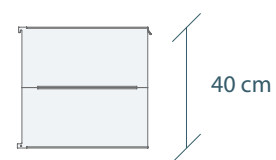
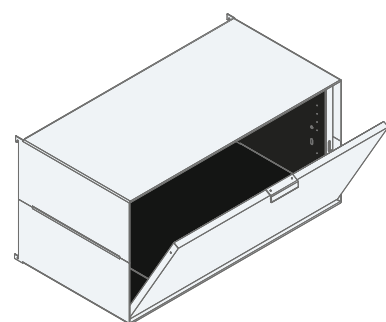


Corpus open 1 file level

steel sheet 2 mm, powder-coated fine structure, with bottom supports

Article no.	Article		Sales price excl. VAT
M 510 080 040	Corpus open 1 file level 80 cm	inside 73 x 35 x 35 cm	793.00 €
M 510 120 040	Corpus open 1 file level 120 cm	inside 113 x 35 x 35 cm	926.00 €
^			
W	Traffic white		
J	Papyrus white		
A	Traffic grey A		
B	Traffic grey B		
S	Traffic black		

Corpora open 1 file level are hooked into the vertical wall profile with bottom supports and can be placed in 4 cm increments. They are available in widths of 80 and 120 cm and in a depth of 40 cm. The side height is 40 cm. The total depth in the shelf is corpus depth 40 + 3.3 cm (for wall mounting). The interior of the corpus is Traffic black.



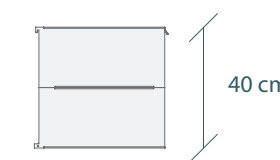
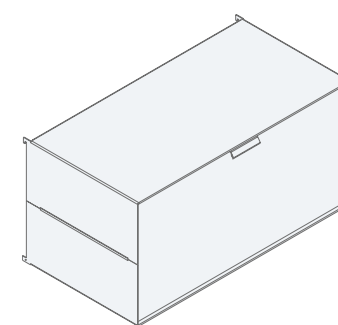
Corpus with hinged door 1 file level

steel sheet 2 mm, powder-coated fine structure or front wood-based panel veneered, with bottom supports

Article no.	Article		Sales price excl. VAT
M 511 080 040	Corpus with hinged door 1 file level 80 cm	inside 73 x 35 x 35 cm	1223.00 €
M 511 080 040 SD	Corpus with hinged door 1 file level 80 cm	inside 73 x 35 x 35 cm	1660.00 €
^			
M 511 120 040	Corpus with hinged door 1 file level 120 cm	inside 113 x 35 x 35 cm	1392.00 €
M 511 120 040 SD	Corpus with hinged door 1 file level 120 cm	inside 113 x 35 x 35 cm	1966.00 €
^			
W	Traffic white		
J	Papyrus white		
A	Traffic grey A		
B	Traffic grey B		
S	Traffic black		
SD	Traffic black / Brushed oak, lacquered black		

Corpora with hinged door 1 file level are hooked into the vertical wall profile with bottom supports and can be placed in 4 cm increments. They are available in widths of 80 and 120 cm and in a depth of 40 cm. The side height is 40 cm. The total depth in the shelf is corpus depth 40 + 3.3 cm (for wall mounting). The interior of the corpus is Traffic black. The cable pull has a damping system.

In the version SD = Traffic black / Brushed oak, lacquered black, a wood-based panel is veneered for the front, stained black and lacquered. The corpus and the handle are in the version sheet steel powder-coated Traffic black fine structure.



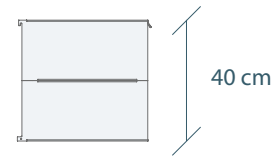
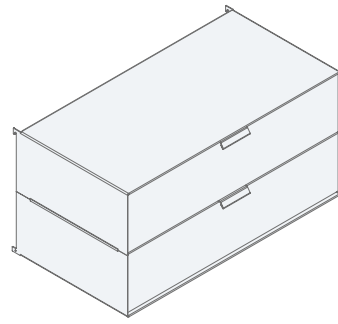
Corpus with drawer 1 file level

steel sheet 2 mm, powder-coated fine structure or front wood-based panel veneered, with bottom supports

Article no.	Article		Sales price excl. VAT
M 512 080 040	Corpus with drawer 1 file level 80 cm	inside 65 x 32.5 x 32 cm	1208.00 €
M 512 080 040 SD	Corpus with drawer 1 file level 80 cm	inside 65 x 32.5 x 32 cm	1520.00 €
^			
M 512 120 040	Corpus with drawer 1 file level 120 cm	inside 105 x 32.5 x 32 cm	1425.00 €
M 512 120 040 SD	Corpus with drawer 1 file level 120 cm	inside 105 x 32.5 x 32 cm	1876.00 €
^			
W	Traffic white		
J	Papyrus white		
A	Traffic grey A		
B	Traffic grey B		
S	Traffic black		
SD	Traffic black / Brushed oak, lacquered black		

Corpora with 1 drawer 1 file level are hooked into the vertical wall profile with bottom supports and can be placed in 4 cm increments. They are available in widths of 80 and 120 cm and in a depth of 40 cm. The side height is 40 cm. The total depth in the shelf is corpus depth 40 + 3.3 cm (for wall mounting). The interior of the corpus is Traffic black. The drawer has a self-closing and soft-closing mechanism.

In the version SD = Traffic black / Brushed oak, lacquered black, a wood-based panel is veneered for the front, stained black and lacquered. The corpus and the handle are in the version sheet steel powder-coated Traffic black fine structure.



Corpus with 2 drawers 0.5 file level

steel sheet 2 mm, powder-coated fine structure or front wood-based panel veneered, with bottom supports

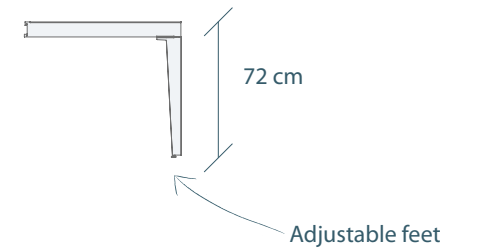
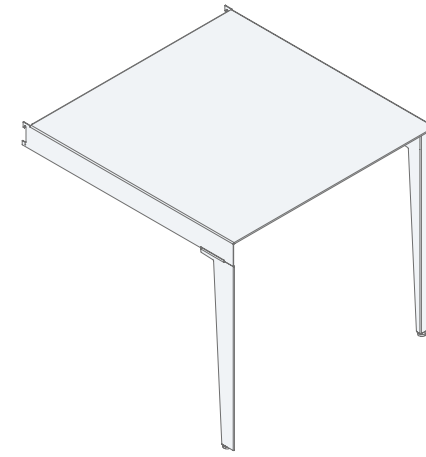
Article no.	Article		Sales price excl. VAT
M 514 080 040	Corpus with 2 drawers 0.5 file level 80 cm	inside 65 x 32.5 x 14 cm	1562.00 €
M 514 080 040 SD	Corpus with 2 drawers 0.5 file level 80 cm	inside 65 x 32.5 x 14 cm	1908.00 €
M 514 120 040	Corpus with 2 drawers 0.5 file level 120 cm	inside 105 x 32.5 x 14 cm	1854.00 €
M 514 120 040 SD	Corpus with 2 drawers 0.5 file level 120 cm	inside 105 x 32.5 x 14 cm	2387.00 €
^			
W	Traffic white		
J	Papyrus white		
A	Traffic grey A		
B	Traffic grey B		
S	Traffic black		
SD	Traffic black / Brushed oak, lacquered black		

Corpora with 2 drawers 0.5 file level are hooked into the vertical wall profile with bottom supports and can be placed in 4 cm increments. They are available in widths of 80 and 120 cm and in a depth of 40 cm. The side height is 40 cm. The total depth in the shelf is corpus depth 40 + 3.3 cm (for wall mounting).

The interior of the corpus is Traffic black. The drawer has a self-closing and soft-closing mechanism.

In the version SD = Traffic black / Brushed oak, lacquered black, a wood-based panel is veneered for the front, stained black and lacquered.

The corpus and the handle are in the version sheet steel powder-coated Traffic black fine structure.



Table

steel sheet 2 mm, powder-coated fine structure, with bottom supports, table legs screwed, with adjustable feet

Article no.	Article	Sales price excl. VAT
M 800 080 080	Table 80 x 80 cm	536.00 €
M 800 120 080	Table 120 x 80 cm	603.00 €
^		
W	Traffic white	
J	Papyrus white	
A	Traffic grey A	
B	Traffic grey B	
S	Traffic black	

Tables are suspended in the vertical wall profile with bottom supports. They are available in widths of 80 and 120 cm and in a depth of 80 cm. The side height is 8 cm and the table height 72 cm. The total depth in the shelf is table depth 80 + 3.3 cm (for wall mounting).

They are particularly suitable as a small, stable workplace. They can be combined with writing shelves and corpora and placed to match at the same height. To do this, the vertical wall profiles are mounted

on the wall at a height of 32 cm (lowest hole 34 cm). Then the corpus (height 40 cm) hangs at table height 72 cm and ends with the profile at the bottom.

Errors and technical modifications excepted. All prices are recommended retail prices. Deliveries are made exclusively in accordance with our terms and conditions. Further information from page 113.

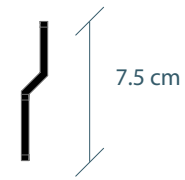


System M Sideboard



Horizontal wall profiles enable the invisible suspension of corpora of any width with a wide variety of fittings in the System M Sideboard by Thomas Merkel. The same corpus can also be freely placed on feet or mounted on castors for mobility.

Design: Thomas Merkel, 2011



Horizontal wall profile

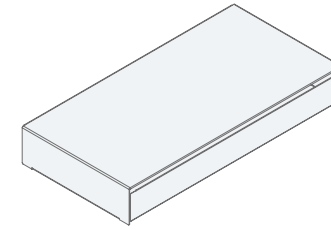
steel sheet 4 mm, powder-coated fine structure, with screws 5 x 60 mm for wall mounting

Article no.	Article		Sales price excl. VAT
M 100 080 000 S	Horizontal wall profile 80 cm	7 screw holes	29.00 €
M 100 120 000 S	Horizontal wall profile 120 cm	11 screw holes	44.00 €
M 100 160 000 S	Horizontal wall profile 160 cm	15 screw holes	58.00 €
M 100 200 000 S	Horizontal wall profile 200 cm	19 screw holes	73.00 €
M 100 240 000 S	Horizontal wall profile 240 cm	23 screw holes	88.00 €
	^		
	S	Traffic black	

Horizontal wall profiles are screwed to the wall and allow the hanging of corpora. The wall profiles are not visible later. The length to be used depends on the corpus dimensions, for example, for 3 corpora 80 cm wide you need a wall profile 240 cm long. If the sideboard is wider than 240 cm, several horizontal wall profiles are required. The grid dimensions (80 or 120 cm) are added for the total external dimension. The total depth (without handle) is corpus depth 40 + 1 cm.

The prerequisite for installation is solid and resilient walls. Weaker walls can only bear lower loads. The spacing of the fixing holes allows the wall profile to be used as a mounting template when several profiles are mounted in a horizontal line. The screw holes are approx. 6 cm below the top edge of the corpora. When mounted at a height of 66 cm (drilled hole), a corpus hangs at table height approx. 72 cm. Wall-mounted sideboards can also be used free-standing on feet

later. Horizontal wall profiles are always shorter than the specified planning dimension. This means they are not visible when installed. Only use wall plugs that are suitable for the wall in question.

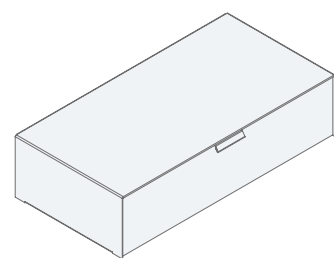


Drawer shelf for horizontal wall profile

steel sheet 2 mm, powder-coated fine structure, drawer gliding on felt

Article no.	Article	Sales price excl. VAT
M 406 080 040	Drawer shelf for horizontal wall profile 80 x 40 x 12 cm	452.00 €
M 406 120 040	Drawer shelf for horizontal wall profile 120 x 40 x 12 cm	529.00 €
	^	
	W	Traffic white
	J	Papyrus white
	A	Traffic grey A
	B	Traffic grey B
	S	Traffic black

The drawer shelf can be hung on the horizontal wall profile. It is available in width 80 and 120 cm and depth 40 cm. The side height is 12 cm. The total depth is shelf depth 40 + 1 cm. The drawer is guided on felt strips. The drawer shelves can be placed next to tables or corpora at the same height.



Drawer corpus 0.5 file level

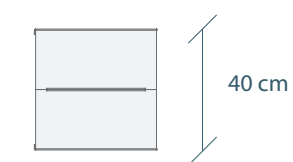
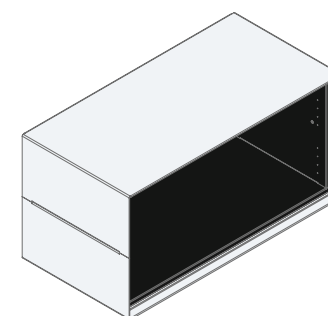
steel sheet 2 mm, powder-coated fine structure or front wood-based panel veneered

Article no.	Article		Sales price excl. VAT
M 405 080 040	Drawer corpus 0.5 file level 80 x 40 cm	inside 65 x 32.5 x 14 cm	750.00 €
M 405 080 040 SD	Drawer corpus 0.5 file level 80 x 40 cm	inside 65 x 32.5 x 14 cm	933.00 €
M 405 120 040	Drawer corpus 0.5 file level 120 x 40 cm	inside 105 x 32.5 x 14 cm	893.00 €
M 405 120 040 SD	Drawer corpus 0.5 file level 120 x 40 cm	inside 105 x 32.5 x 14 cm	1124.00 €
^			
W	Traffic white		
J	Papyrus white		
A	Traffic grey A		
B	Traffic grey B		
S	Traffic black		
SD	Traffic black / Brushed oak, lacquered black		

Drawer corpora 0.5 file level can be hung on the horizontal wall profile or mounted freely on feet or mobile on castors. They are available in widths of 80 and 120 cm and in depths of 40 cm. The side height is 20 cm. They can be placed next to corpora at the same height. The drawer has a self-closing and soft-closing mechanism. The interior is Traffic black.

In the version SD = Traffic black / Brushed oak, lacquered black, a wood-based panel is veneered for the front, stained black and lacquered. The corpus and the handle are in the version sheet steel powder-coated Traffic black fine structure.

Drawer corpora 0.5 file level on feet have a total height of 25 cm.



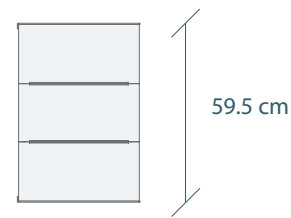
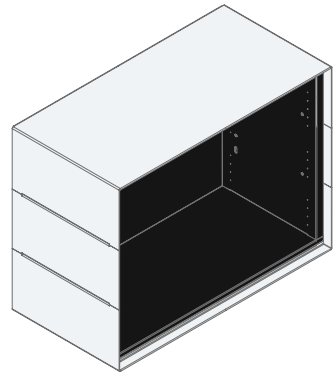
Corpus open 1 file level

steel sheet 2 mm, powder-coated fine structure

Article no.	Article		Sales price excl. VAT
M 410 080 040	Corpus open 1 file level 80 cm	inside 73 x 35 x 35 cm	793.00 €
M 410 120 040	Corpus open 1 file level 120 cm	inside 113 x 35 x 35 cm	926.00 €
^			
W	Traffic white		
J	Papyrus white		
A	Traffic grey A		
B	Traffic grey B		
S	Traffic black		

Corpora 1 file level can be hung on the horizontal wall profile or freely mounted on feet or mobile on castors. They are available in widths of 80 and 120 cm, in height 40 cm and in depth 40 cm. They can be open, fitted with hinged doors or drawers and combined with other corpus heights. The interior of the corpus is Traffic black.

Corpora 1 file level on feet have a total height of 45 cm.



Corpus open 1.5 file levels

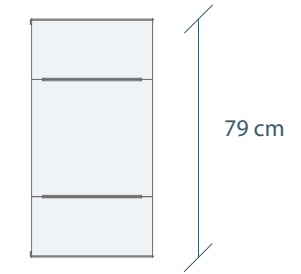
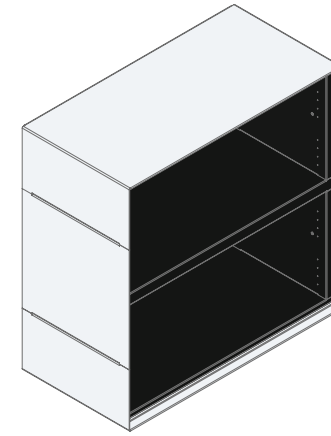
steel sheet 2 mm, powder-coated fine structure

Article no.	Article		Sales price excl. VAT
M 450 080 040	Corpus open 1.5 file levels 80 cm	inside 73 x 35 x 55 cm	1132.00 €
M 450 120 040	Corpus open 1.5 file levels 120 cm	inside 113 x 35 x 55 cm	1215.00 €
	^		
W	Traffic white		
J	Papyrus white		
A	Traffic grey A		
B	Traffic grey B		
S	Traffic black		

Corpora open 1.5 file levels can be hung on the horizontal wall profile or mounted freely on feet or mobile on castors. They are available in widths of 80 and 120 cm, in height 59.5 cm and in depth 40 cm. They can be open, fitted with hinged doors or drawers at the bottom, drawers or open compartments at the top and combined with other corpora heights. The interior of the corpus is Traffic black.

For an open compartment in the upper section, you need an adjustable intermediate shelf. Adjustable intermediate shelves are listed in the System M Accessories section.

Corpora 1.5 file levels on feet have a total height of 65 cm.



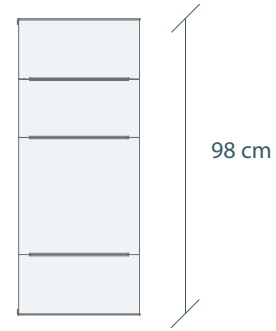
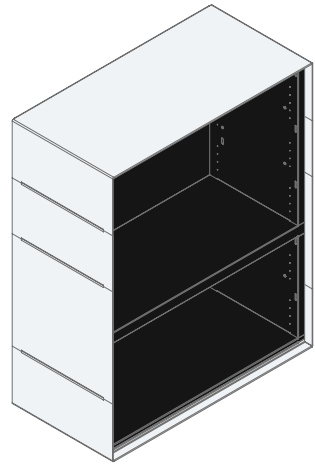
Corpus open 2 file levels

steel sheet 2 mm, powder-coated fine structure, with constructive floor

Article no.	Article		Sales price excl. VAT
M 420 080 040	Corpus open 2 file levels 80 cm	inside 73 x 35 x 35 cm	1272.00 €
M 420 120 040	Corpus open 2 file levels 120 cm	inside 113 x 35 x 35 cm	1403.00 €
	^		
W	Traffic white		
J	Papyrus white		
A	Traffic grey A		
B	Traffic grey B		
S	Traffic black		

Corpora open 2 file levels can be hung on the horizontal wall profile or mounted freely on feet or mobile on castors. They are available in widths of 80 and 120 cm, in height 79 cm and in depth 40 cm. They can be open, fitted with hinged doors or drawers and combined with other corpora heights. The interior of the corpus is Traffic black.

Corpora 2 file levels on feet have a total height of 84 cm.



Corpus open 2.5 file levels

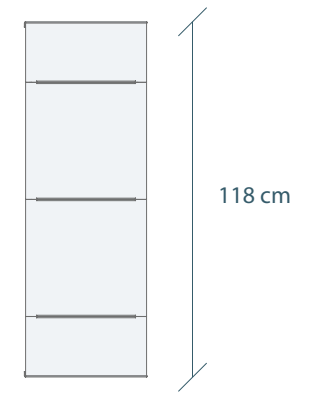
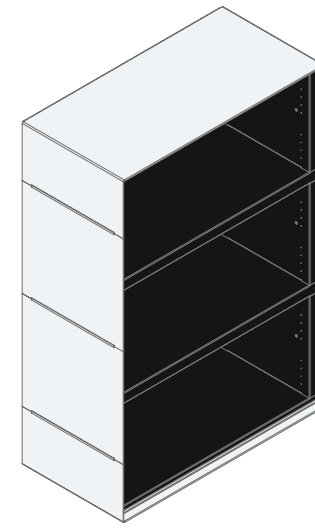
steel sheet 2 mm, powder-coated fine structure, with constructive floor

Article no.	Article	Sales price excl. VAT
M 425 080 040	Corpus open 2.5 file levels 80 cm inside top 73 x 35 x 55 cm, inside bottom 73 x 35 x 35 cm	1431.00 €
^		
W	Traffic white	
J	Papyrus white	
A	Traffic grey A	
B	Traffic grey B	
S	Traffic black	

Corpora open 2.5 file levels can be mounted freely on feet. They are available in widths of 80 cm, in height 98 cm and in depth 40 cm. They can be open, fitted with hinged doors or drawers and combined with other corpora heights. The interior of the corpus is Traffic black.

For an open compartment in the upper section, you need an adjustable intermediate shelf. Adjustable intermediate shelves are listed in the System M Accessories section.

Corpora 2.5 file levels on feet have a total height of 103 cm.



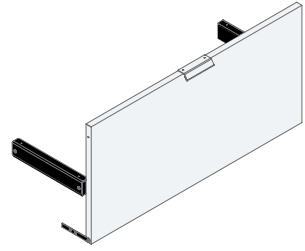
Corpus open 3 file levels

steel sheet 2 mm, powder-coated fine structure, with two constructive floors

Article no.	Article	Sales price excl. VAT
M 430 080 040	Corpus open 3 file levels 80 cm inside each 73 x 35 x 35 cm	1558.00 €
^		
W	Traffic white	
J	Papyrus white	
A	Traffic grey A	
B	Traffic grey B	
S	Traffic black	

Corpora open 3 file levels can be mounted freely on feet. They are available in widths of 80 cm, in height 118 cm and in depth 40 cm. They can be open, fitted with hinged doors or drawers and combined with other corpora heights. The interior of the corpus is Traffic black.

Corpora 3 file levels on feet have a total height of 123 cm.



Hinged door 1 file level

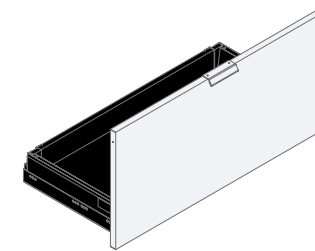
steel sheet 1 mm, powder-coated fine structure or wood-based panel veneered

Article no.	Article		Sales price excl. VAT
M 411 080 040	Hinged door 1 file level 80 cm	inside 73 x 35 x 35 cm	430.00 €
M 411 080 040 D	Hinged door 1 file level 80 cm	inside 73 x 35 x 35 cm	867.00 €
M 411 120 040	Hinged door 1 file level 120 cm	inside 113 x 35 x 35 cm	466.00 €
M 411 120 040 D	Hinged door 1 file level 120 cm	inside 113 x 35 x 35 cm	1040.00 €
^			
W	Traffic white		
J	Papyrus white		
A	Traffic grey A		
B	Traffic grey B		
S	Traffic black		
D	Brushed oak, lacquered black		

Every open corpora with 1, 1.5, 2, 2.5 or 3 file levels can be supplemented with hinged doors or drawers as required. The positions of doors and drawers are also freely selectable and can also be exchanged in existing corpora. Drawers should be fitted at the bottom of free-standing corpora and the corpus should be additionally fixed to the wall with the safty bracket if necessary. Corpora on castors can be secured with counterweights.

The interior of the corpus is Traffic black.

In the version D a wood-based panel is veneered for the front, stained black and lacquered. The handle is in the version sheet steel powder-coated Traffic black fine structure. We recommend a matching corpus in the version S (Traffic black).



Drawer 1 file level

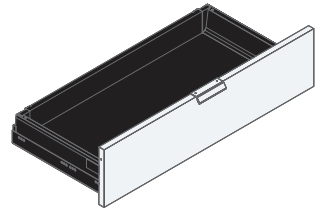
steel sheet 1 mm, powder-coated fine structure or wood-based panel veneered

Article no.	Article		Sales price excl. VAT
M 412 080 040	Drawer 1 file level 80 cm	inside 65 x 32.5 x 32 cm	415.00 €
M 412 080 040 D	Drawer 1 file level 80 cm	inside 65 x 32.5 x 32 cm	727.00 €
M 412 120 040	Drawer 1 file level 120 cm	inside 105 x 32.5 x 32 cm	499.00 €
M 412 120 040 D	Drawer 1 file level 120 cm	inside 105 x 32.5 x 32 cm	949.00 €
^			
W	Traffic white		
J	Papyrus white		
A	Traffic grey A		
B	Traffic grey B		
S	Traffic black		
D	Brushed oak, lacquered black		

Corpora can be fitted with drawers. The drawer has a self-closing mechanism and soft-closing mechanism. They are supplied without a pull-out stop. Drawers should be fitted at the bottom of free-standing corpora and the corpus should be additionally fixed to the wall with the safety bracket if necessary. Corpora on castors can be secured with counterweights. Safety brackets and counterweights can be found in the System M Accessories section.

The interior of the corpus is Traffic black.

In the version D a wood-based panel is veneered for the front, stained black and lacquered. The handle is in the version sheet steel powder-coated Traffic black fine structure. We recommend a matching corpus in the version S (Traffic black).



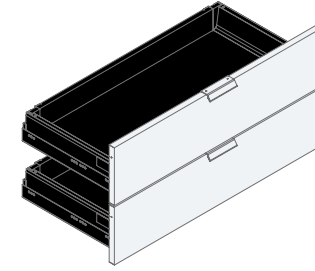
Drawer 0.5 file level

steel sheet 1 mm, powder-coated fine structure or wood-based panel veneered

Article no.	Article		Sales price excl. VAT
M 413 080 040	Drawer 0.5 file level 80 cm	inside 65 x 32.5 x 14 cm	384.00 €
M 413 080 040 D	Drawer 0.5 file level 80 cm	inside 65 x 32.5 x 14 cm	557.00 €
M 413 120 040	Drawer 0.5 file level 120 cm	inside 105 x 32.5 x 14 cm	464.00 €
M 413 120 040 D	Drawer 0.5 file level 120 cm	inside 105 x 32.5 x 14 cm	730.00 €
^			
W	Traffic white		
J	Papyrus white		
A	Traffic grey A		
B	Traffic grey B		
S	Traffic black		
D	Brushed oak, lacquered black		

Corpora can be fitted with drawers. The drawer has a self-closing and soft-closing mechanism. They are supplied without a pull-out stop. Safety brackets and counterweights can be found in the System M Accessories section. The interior of the corpus is Traffic black.

In the version D a wood-based panel is veneered for the front, stained black and lacquered. The handle is in the version sheet steel powder-coated Traffic black fine structure. We recommend a matching corpus in the version S (Traffic black).



Pair of drawers 0.5 file level

steel sheet 1 mm, powder-coated fine structure or wood-based panel veneered

Article no.	Article		Sales price excl. VAT
M 414 080 040	Pair of drawers 0.5 file level 80 cm	inside 65 x 32.5 x 14 cm	769.00 €
M 414 080 040 D	Pair of drawers 0.5 file level 80 cm	inside 65 x 32.5 x 14 cm	1115.00 €
M 414 120 040	Pair of drawers 0.5 file level 120 cm	inside 105 x 32.5 x 14 cm	927.00 €
M 414 120 040 D	Pair of drawers 0.5 file level 120 cm	inside 105 x 32.5 x 14 cm	1461.00 €
^			
W	Traffic white		
J	Papyrus white		
A	Traffic grey A		
B	Traffic grey B		
S	Traffic black		
D	Brushed oak, lacquered black		

Corpora can be fitted with drawers. The drawer has a self-closing and soft-closing mechanism. They are supplied without a pull-out stop. Safety brackets and counterweights can be found in the System M Accessories section. The interior of the corpus is Traffic black.

In the version D a wood-based panel is veneered for the front, stained black and lacquered. The handles are in the version sheet steel powder-coated Traffic black fine structure. We recommend a matching corpus in the version S (Traffic black).



Foot

steel, powder-coated fine structure, with thread M10 x 20, bottom side with felt

Article no.	Article	Sales price excl. VAT
M 401 003 005	Foot 5 cm	31.00 €
^		
W	Traffic white	
J	Papyrus white	
A	Traffic grey A	
B	Traffic grey B	
S	Traffic black	

Hard castor for soft floors

plastic black, with thread M10 x 20

Article no.	Article	Sales price excl. VAT
M 402 005 005	Castor for soft floors	13.00 €
M 403 005 005	Castor with arrestor for soft floors	15.00 €

Soft castor for hard floors

plastic black/grey, with thread M10 x 20

Article no.	Article	Sales price excl. VAT
M 404 005 005	Castor for hard floors	17.00 €
M 405 005 005	Castor with arrestor for hard floors	19.00 €

Feet and castors (load capacity 50 kg/pc) are the alternative to hanging the corpora on horizontal wall profiles. Free-standing sideboards can also be wall-mounted later.

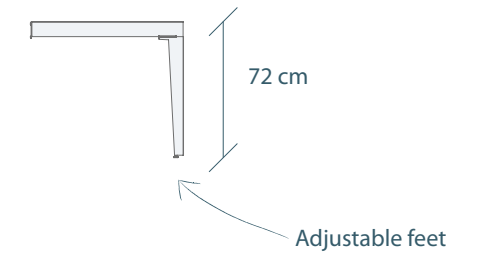
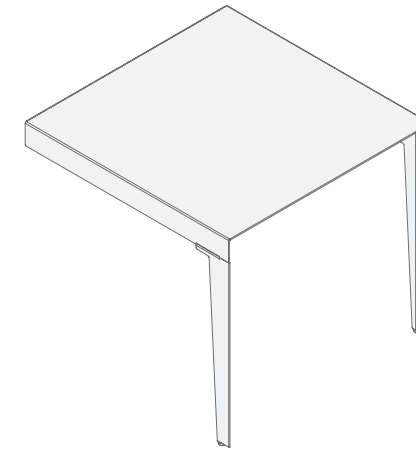


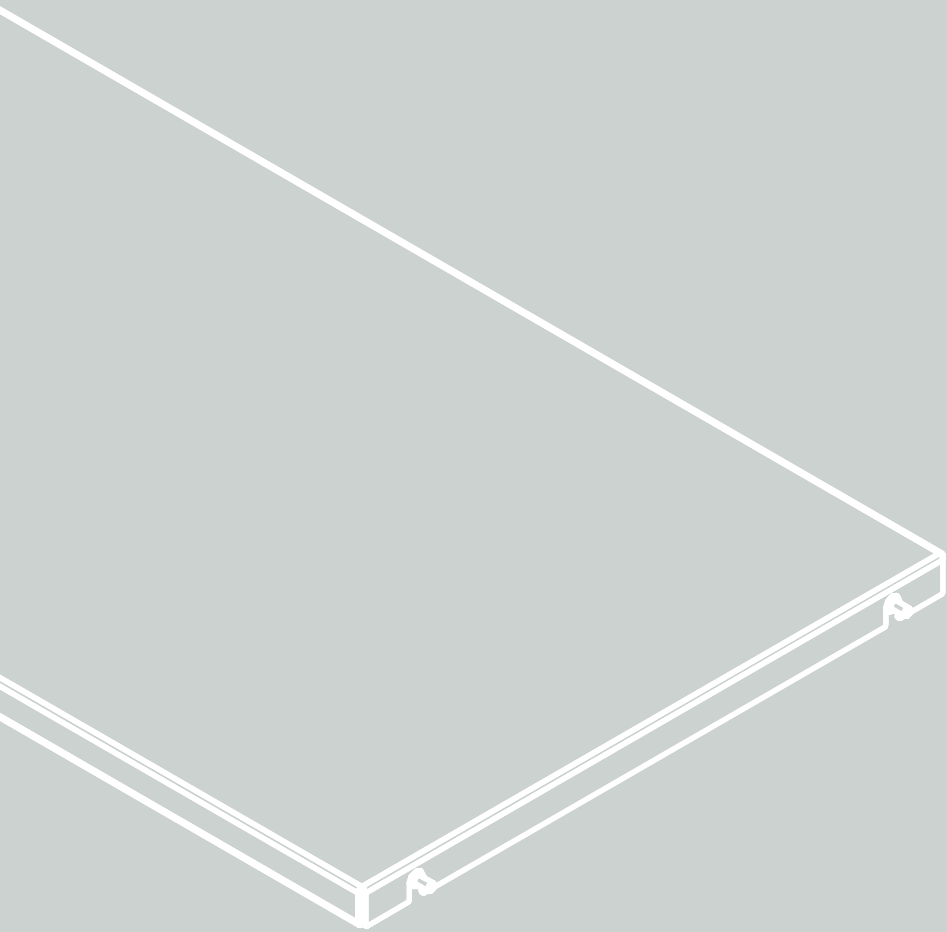
Table for horizontal wall profile

steel sheet 2 mm, powder-coated fine structure, table legs screwed, with adjustable feet

Article no.	Article	Sales price excl. VAT
M 810 080 080	Table for horizontal wall profile 80 x 80 cm	576.00 €
M 810 120 080	Table for horizontal wall profile 120 x 80 cm	675.00 €
^		
W	Traffic white	
J	Papyrus white	
A	Traffic grey A	
B	Traffic grey B	
S	Traffic black	

These tables can be hung on the horizontal wall profile. They are available in widths of 80 and 120 cm and in depth 80 cm. The side height is 8 cm and the table height 72 cm. The total depth is table depth 80 + 1 cm. They are particularly suitable as a small, stable workplace. They can be combined with corpora and placed to match at the same height. The horizontal wall profile must be fitted at a height of 66 cm (drill hole).

Errors and technical modifications excepted. All prices are recommended retail prices. Deliveries are made exclusively in accordance with our terms and conditions. Further information from page 113.



System M Accessories



The accessories for System M can be used for both System M Shelf and System M Sideboard.

Design: Thomas Merkel, 2014



Bottom support

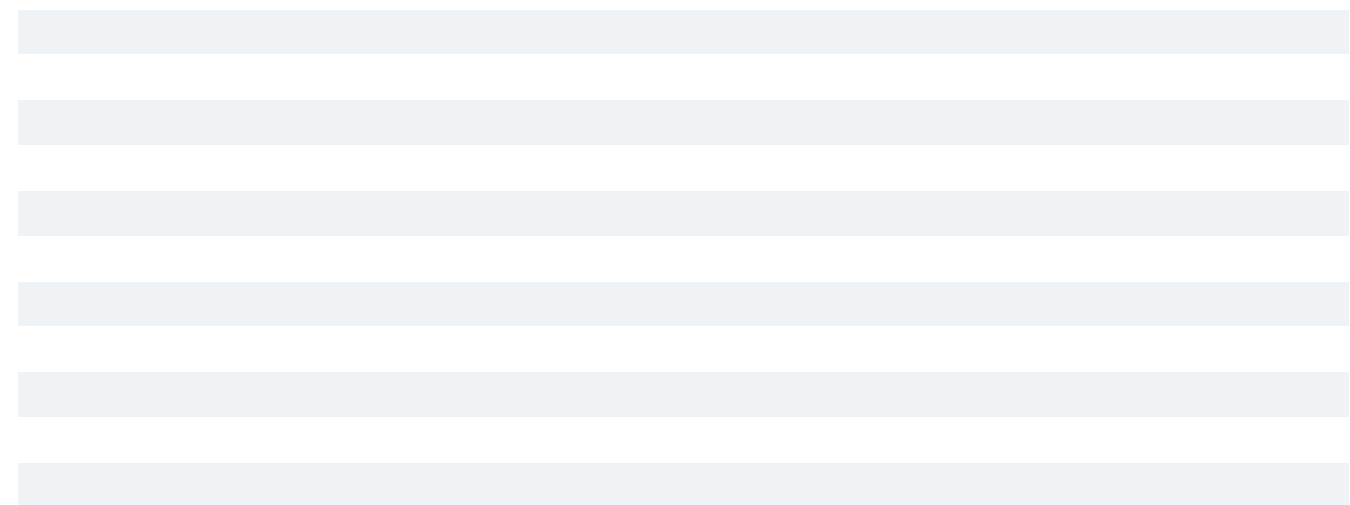
steel

Article no.	Article		Sales price excl. VAT
M 120 000 000	Bottom support	1,6 x 0,5 cm	0.16 €

Tool for bottom supports

magnetic, to facilitate insertion of the bottom supports in the vertical wall profile

Article no.	Article		Sales price excl. VAT
M 700 120 100	Tool for bottom supports	10 x 0,6 cm	13.00 €



Every shelf and corpora comes with bottom supports and every order of vertical wall profiles comes with the tool. They are also offered as spare parts.



Bookend

magnetic, steel sheet 2 mm, powder-coated fine structure

Article no.	Article		Sales price excl. VAT
M 640 020 006	Bookend 22 cm	for shelf depth from 24 cm	42.00 €
M 640 030 006	Bookend 30 cm	for shelf depth from 32 cm	49.00 €

Inscription field

magnetic, steel sheet 2 mm, powder-coated fine structure, plastic

Article no.	Article		Sales price excl. VAT
M 650 010 001	Inscription field	paper 10 x 1 cm	17.00 €

Attachment for shelf for DIN A4

magnetic, steel sheet 2 mm, powder-coated fine structure

Article no.	Article		Sales price excl. VAT
M 660 021 032	Attachment for shelf for DIN A4	22.5 x 30 x 6 cm	41.00 €
	^		
W	Traffic white		
J	Papyrus white		
A	Traffic grey A		
B	Traffic grey B		
S	Traffic black		

Magnetic bookends can be positioned as desired. They can be placed on or under shelves and on their rear wall. Inscription fields are also magnetic and are placed under the front edge of shelves, 0.5 file level shelves and ending and writing shelves. Attachment for shelf for DIN A4 can be used for shelves from 32 cm deep.

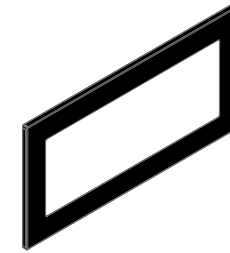


Lock

right, for fronts 0,5 and 1 file level, keyed alike, suitable for locking systems

Article no.	Article		Sales price excl. VAT
M 610 000 001	Lock	Ø 19 mm	89.00 €

One lock is required per front, so two locks are needed for the corpora with 2 drawers 0.5 file level.



Rear wall cut out

for corpora

Article no.	Article		Sales price excl. VAT
M 615 065 025	Rear wall cut out for corpora width 80 cm	65 x 25 cm	47.00 €

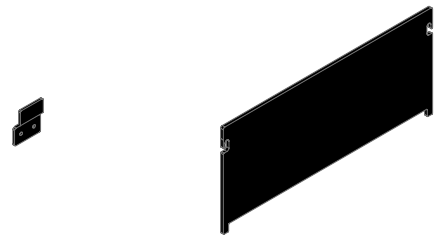
M 615 105 025	Rear wall cut out for corpora width 120 cm	105 x 25 cm	47.00 €
---------------	--	-------------	---------

Rear wall cut out individual

according to your specifications

Article no.	Article		Sales price excl. VAT
M 615 000 XXX	Rear wall cut out individual		123.00 €

The rear wall of corpora can be fitted with a rear wall cut out.



Safety bracket

for fixing freestanding corpora to the wall, steel sheet 4 mm, powder-coated fine structure, with screws 5 x 60 mm

Article no.	Article	Sales price excl. VAT
M 100 000 000 S	Safety bracket	18.00 €

Counterweight

to balance in corpora with drawers, steel 10 mm, powder-coated fine structure

Article no.	Article		Sales price excl. VAT
M 617 080 032 S	Counterweight	80 x 32 x 1 cm (20 kg)	247.00 €
M 617 120 032 S	Counterweight	120 x 32 x 1 cm (30 kg)	346.00 €

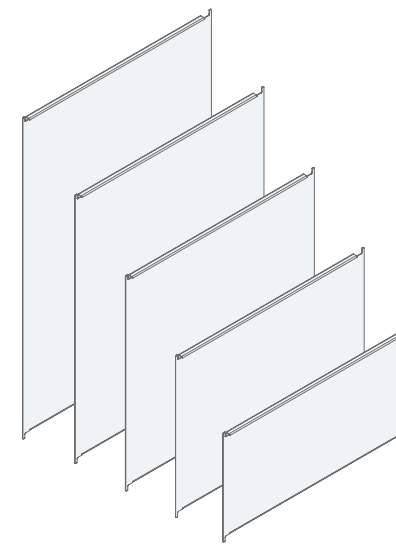
^

S Traffic black

The safety bracket fixes the free-standing cabinet to the wall when using several drawers. The counterweight is used to balance the corpus with drawers on castors or when there are back panels or the securing bracket cannot be fitted. They are fitted behind the back panel. One weight can be fitted per corpus from 1 file level upwards.

Free-standing corpora with drawers should be protected against tipping over with the safety bracket on the wall.

Corpora with drawers on castors should be secured with counterweights.



Back panel

magnetic, steel sheet 2 mm, powder-coated fine structure

Article no.	Article		Sales price excl. VAT
M 616 080 040	Back panel 1 file level 80 cm	80 x 40 cm	135.00 €
M 616 080 059	Back panel 1.5 file levels 80 cm	80 x 59 cm	179.00 €
M 616 080 079	Back panel 2 file levels 80 cm	80 x 79 cm	284.00 €
M 616 080 098	Back panel 2.5 file levels 80 cm	80 x 98 cm	315.00 €
M 616 080 118	Back panel 3 file levels 80 cm	80 x 118 cm	346.00 €

M 616 120 040	Back panel 1 file level 120 cm	120 x 40 cm	171.00 €
M 616 120 059	Back panel 1.5 file levels 120 cm	120 x 59 cm	315.00 €
M 616 120 079	Back panel 2 file levels 120 cm	120 x 79 cm	436.00 €

^

W Traffic white

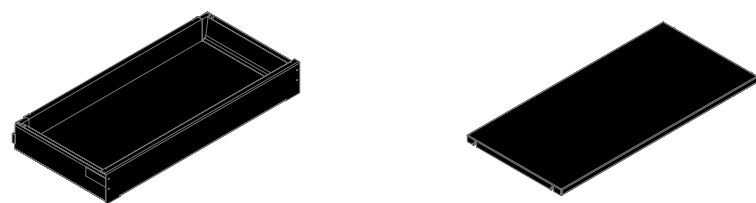
J Papyrus white

A Traffic grey A

B Traffic grey B

S Traffic black

Free-standing corpora 1, 1.5, 2, 2.5 and 3 file levels from System M Sideboard can be fitted with back panels. These are magnetic and can also be fitted subsequently without tools.



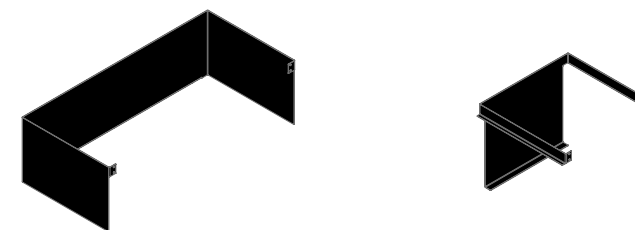
Inner drawer
steel sheet, powder-coated fine structure

Article no.	Article		Sales price excl. VAT
M 415 080 020 S	Inner drawer 80 cm	inside 65 x 32.5 x 10 cm	347.00 €
M 415 120 020 S	Inner drawer 120 cm	inside 105 x 32.5 x 10 cm	392.00 €

Adjustable intermediate floor
steel sheet, powder-coated fine structure, with floor bearers

Article no.	Article		Sales price excl. VAT
M 611 080 035 S	Adjustable intermediate floor 80 cm	73 x 35 x 2 cm	81.00 €
M 611 120 035 S	Adjustable intermediate floor 120 cm	113 x 35 x 2 cm	99.00 €
	^		
	S Traffic black		

Corpora can be fitted with inner drawers behind drawers 1 file level and behind hinged doors 1 file level. The drawer has a self-closing and soft-closing mechanism. Like the inside of the corpus, the inner drawer is Traffic black. The inner drawer or the insert for drawers for hanging files or the attachment for drawers 1 file level can only be optionally fitted in the drawer 1 file level. The accessories can also be retrofitted in existing corpora units.



Attachment for drawers 1 file level
steel sheet, powder-coated fine structure

Article no.	Article		Sales price excl. VAT
M 612 080 035 S	Attachment for drawers 1 file level 80 cm	69 x 32.5 x 21 cm	81.00 €
M 612 120 035 S	Attachment for drawers 1 file level 120 cm	109 x 32.5 x 21 cm	97.00 €

Insert for drawers for hanging files
steel sheet, powder-coated fine structure, max. 2 for drawers width 80 cm, max. 3 for drawers width 120 cm

Article no.	Article		Sales price excl. VAT
M 622 035 032 S	Insert for drawers for hanging files	35 x 32.5 x 28 cm	75.00 €
	^		
	S Traffic black		

Corpora can be equipped with different inserts. The inner drawer or the insert for drawers for hanging files or the attachment for drawers 1 file level can only be optionally fitted in the drawer 1 file level. The accessories can also be retrofitted in existing corpora units. The interior of the corpus is also Traffic black.



Insert for drawer for 25 CDs

with stilt, magnetic, steel sheet, powder-coated fine structure, max. 4 for drawers width 80 cm, max. 6 for drawers width 120 cm

Article no.	Article		Sales price excl. VAT
M 614 016 032 S	Insert for drawer for 25 CDs	16 x 32.5 x 7 cm	51.00 €

Insert for drawer for 17 DVDs

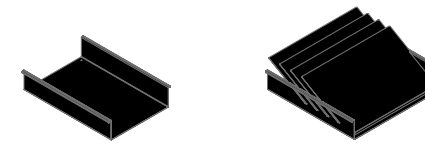
with stilt, magnetic, steel sheet, powder-coated fine structure, max. 3 for drawers width 80 cm, max. 5 for drawers width 120 cm

Article no.	Article		Sales price excl. VAT
M 624 021 032 S	Insert for drawer for 17 DVDs	21 x 32.5 x 7 cm	54.00 €

^

S Traffic black

Drawers can be equipped with different inserts. These are magnetic and thus fixed to the drawer bottom. CDs and DVDs are placed crosswise in the inserts and can thus be leafed through easily. The different inserts can also be combined with each other. The internal dimensions of the drawers are 65 and 105 cm. The interior of the corpus is also Traffic black.



Insert for drawer for DIN A4

steel sheet, powder-coated fine structure, max. 2 for drawers width 80 cm, max. 4 for drawers width 120 cm

Article no.	Article		Sales price excl. VAT
M 634 023 032 S	Insert for drawer for DIN A4	23 x 32.5 x 7 cm	43.00 €

Insert for drawer with angled paper trays

steel sheet, powder-coated fine structure, max. 1 for drawers width 80 cm, max. 3 for drawers width 120 cm

Article no.	Article		Sales price excl. VAT
M 644 034 032 S	Insert for drawer with angled paper trays	34 x 32.5 x 7 cm	150.00 €

^

S Traffic black

Drawers can be equipped with different inserts. These are magnetic and thus fixed to the drawer bottom. CDs and DVDs are placed crosswise in the inserts and can thus be leafed through easily. The different inserts can also be combined with each other. The internal dimensions of the drawers are 65 and 105 cm. The interior of the corpus is also Traffic black.

Errors and technical modifications excepted. All prices are recommended retail prices. Deliveries are made exclusively in accordance with our terms and conditions. Further information from page 113.

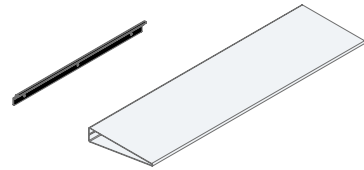


System M Wallboard



The Wallboard by Thomas Merkel takes up the idea of a single shelf. The shape is familiar, but the material is new: 2 mm sheet steel bent from one piece. Elegant form, high functionality and can be used both as a single piece and in combination with System M Sideboard.

Design: Thomas Merkel, 2014



Horizontal profile for wallboard

steel sheet 3 mm, powder-coated fine structure, felt, with screws 5 x 60 mm for wall mounting

Article no.	Article	Sales price excl. VAT
M 101 080 000 S	Horizontal profile for wallboard 80 cm 3 screw holes	33.00 €
M 101 120 000 S	Horizontal profile for wallboard 120 cm 5 screw holes	48.00 €

Wallboard

steel sheet 2 mm, powder-coated fine structure

Article no.	Article	Sales price excl. VAT
M 400 080 018	Wallboard 80 x 18 cm	133.00 €
M 400 080 024	Wallboard 80 x 24 cm	148.00 €
M 400 120 018	Wallboard 120 x 18 cm	184.00 €
M 400 120 024	Wallboard 120 x 24 cm	199.00 €
^		
W	Traffic white	
J	Papyrus white	
A	Traffic grey A	
B	Traffic grey B	
S	Traffic black	

The Wallboard is screwed to the wall using a horizontal profile. The profiles are not visible later. Each individual shelf hangs on its own profile. The grid dimensions (80 or 120 cm) are added for the total external dimension. The total depth is floor depth + 1 cm. The prerequisite for installation is solid and load-bearing walls. Weaker walls can only bear lower loads. The shelves can be used individually, in a row or in combination with the corpora. The spacing of the fixing

holes allows the wall profile to be used as a mounting template when several profiles are mounted in a horizontal line. The screw holes are approx. 3 cm below the top edge of the individual shelves. The profiles are always shorter than the specified planning dimension. This means they are not visible when installed. Only use wall plugs that are suitable for the respective wall.

Pair of inner covers for wallboard

steel sheet 1 mm, powder-coated fine structure

Article no.	Article	Sales price excl. VAT
M 401 000 018 S	Pair of inner covers for wallboard depth 18 cm	40.00 €
M 401 000 024 S	Pair of inner covers for wallboard depth 24 cm	41.00 €
^		
S	Traffic black	

The inner covers for the Wallboard can also be inserted later. To do this, however, the wallboard must be removed from the profile. They are recessed 6 cm into the side of the wallboard.

Errors and technical modifications excepted. All prices are recommended retail prices. Deliveries are made exclusively in accordance with our terms and conditions. Further information from page 113.

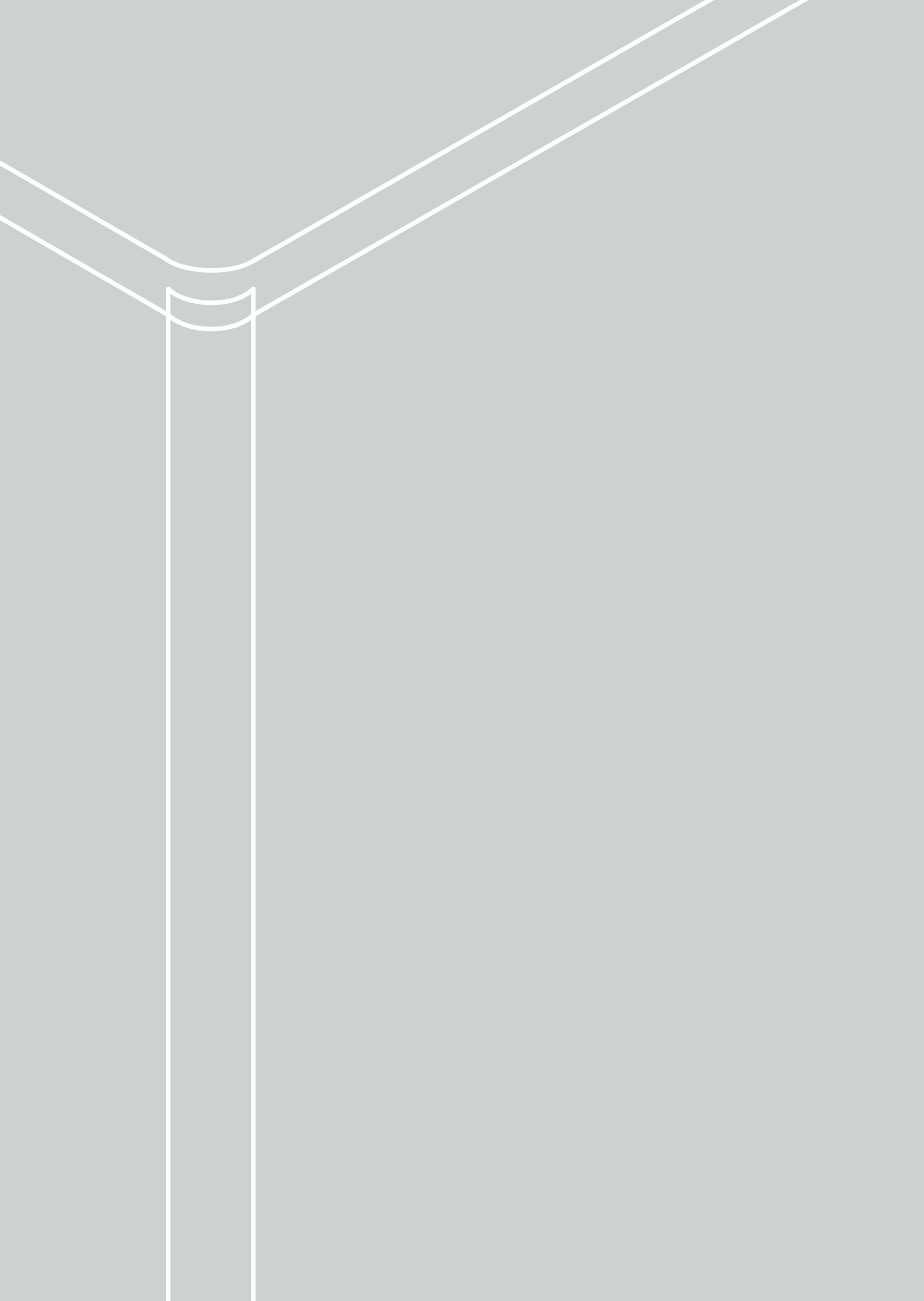


Table M04



The appeal of the Table M04 by Thomas Merkel lies in its visual lightness. The material thicknesses are extremely reduced and the construction is completely embedded in the tabletop. The special feature lies in the single detail: adapters that serve to integrate the legs into the top also connect them visually.

Design: Thomas Merkel, 2004



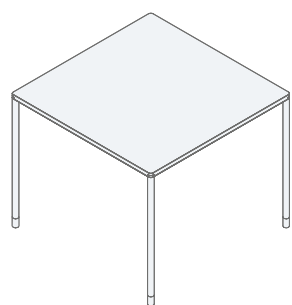
reddot design award
winner 2008



DP3D Die Goldene Flamme DE



DESIGNPREIS
2009
NOMINIERT



Stand alone table square

table legs steel, powder-coated, table top laminate, table edge bamboo

Article no.	Article		Sales price excl. VAT
M04 110 075 075	Stand alone table square 75 x 75 cm	edge bamboo	1581.00 €
M04 111 075 075	Stand alone table square 75 x 75 cm	edge bamboo black	1637.00 €
M04 110 080 080	Stand alone table square 80 x 80 cm	edge bamboo	1581.00 €
M04 111 080 080	Stand alone table square 80 x 80 cm	edge bamboo black	1637.00 €
M04 110 090 090	Stand alone table square 90 x 90 cm	edge bamboo	1595.00 €
M04 111 090 090	Stand alone table square 90 x 90 cm	edge bamboo black	1652.00 €

Stand alone table square

table legs steel, powder-coated, table top laminate, table edge plywood

Article no.	Article		Sales price excl. VAT
M04 120 075 075	Stand alone table square 75 x 75 cm	edge plywood	1532.00 €
M04 120 080 080	Stand alone table square 80 x 80 cm	edge plywood	1532.00 €
M04 120 090 090	Stand alone table square 90 x 90 cm	edge plywood	1546.00 €

^

W Traffic white

J Papyrus white

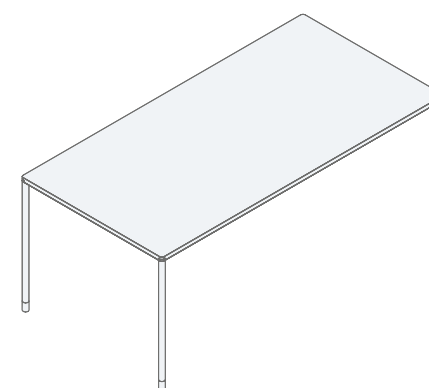
A Traffic grey A

S Traffic black

The Table M04 can be assembled without tools. The table legs are screwed into the recessed adapters. Foot adjustments on each table leg make it possible to compensate for uneven floors. There is felt on their underside. The tables are available in many different sizes. If this is not sufficient, the table sizes can be individualised.

The table height is 74 cm. Lower foot adjustments are available for table height 72 cm.

The edge of the table top is 5 mm natural or black oiled bamboo. In the plywood version, the entire table top is in this finish. Other table edges are possible. Please note that there are slight colour differences between the colour of the laminate and the colour of the powder coating of the table legs and adapters.



Stand alone table rectangular

table legs steel, powder-coated, table top laminate, table edge bamboo

Article no.	Article		Sales price excl. VAT
M04 210 150 075	Stand alone table rectangular 150 x 75 cm	edge bamboo	1917.00 €
M04 211 150 075	Stand alone table rectangular 150 x 75 cm	edge bamboo black	1974.00 €
M04 210 160 080	Stand alone table rectangular 160 x 80 cm	edge bamboo	1955.00 €
M04 211 160 080	Stand alone table rectangular 160 x 80 cm	edge bamboo black	2011.00 €
M04 210 180 090	Stand alone table rectangular 180 x 90 cm	edge bamboo	2086.00 €
M04 211 180 090	Stand alone table rectangular 180 x 90 cm	edge bamboo black	2142.00 €

Stand alone table rectangular

table legs steel, powder-coated, table top laminate, table edge plywood

Article no.	Article		Sales price excl. VAT
M04 220 150 075	Stand alone table rectangular 150 x 75 cm	edge plywood	1861.00 €
M04 220 160 080	Stand alone table rectangular 160 x 80 cm	edge plywood	1899.00 €
M04 220 180 090	Stand alone table rectangular 180 x 90 cm	edge plywood	2030.00 €

^

W Traffic white

J Papyrus white

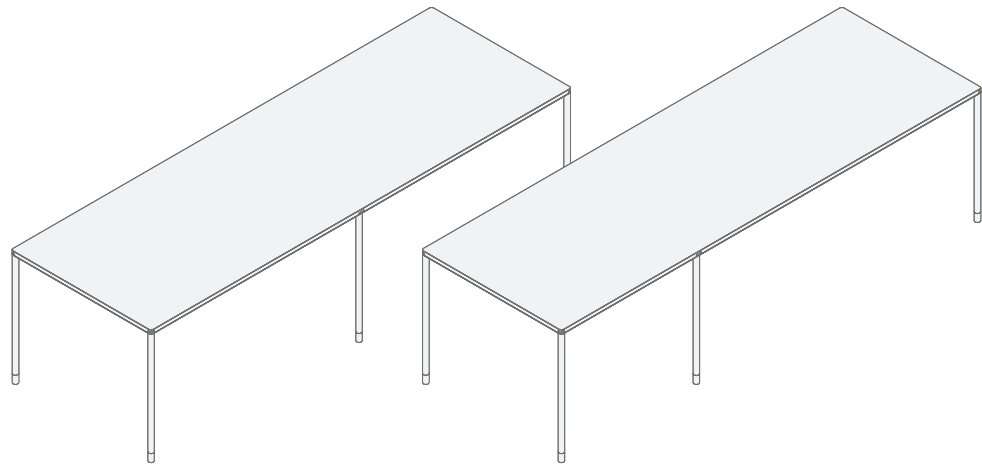
A Traffic grey A

S Traffic black

The Table M04 can be assembled without tools. The table legs are screwed into the recessed adapters. Foot adjustments on each table leg make it possible to compensate for uneven floors. There is felt on their underside. The tables are available in many different sizes. If this is not sufficient, the table sizes can be individualised.

The table height is 74 cm. Lower foot adjustments are available for table height 72 cm.

The edge of the table top is 5 mm natural or black oiled bamboo. In the plywood version, the entire table top is in this finish. Other table edges are possible. Please note that there are slight colour differences between the colour of the laminate and the colour of the powder coating of the table legs and adapters.



Stand alone table rectangular - 6 table legs

table legs steel, powder-coated, table top laminate, table edge bamboo

Article no.	Article	Sales price excl.
M04 210 270 090	Stand alone table rectangular 270 x 90 cm 2 table legs centered 135/135 edge bamboo	2945.00 €
M04 211 270 090	Stand alone table rectangular 270 x 90 cm 2 table legs centered 135/135 edge bamboo black	3001.00 €
M04 215 270 090	Stand alone table rectangular 270 x 90 cm 2 table legs offset 180/90 edge bamboo	3005.00 €
M04 216 270 090	Stand alone table rectangular 270 x 90 cm 2 table legs offset 180/90 edge bamboo black	3061.00 €

Stand alone table rectangular - 6 table legs

table legs steel, powder-coated, table top laminate, table edge plywood

Article no.	Article	Sales price excl. VAT
M04 220 270 090	Stand alone table rectangular 270 x 90 cm 2 table legs centered 135/135 edge plywood	2881.00 €
M04 225 270 090	Stand alone table rectangular 270 x 90 cm 2 table legs offset 180/90 edge plywood	2942.00 €

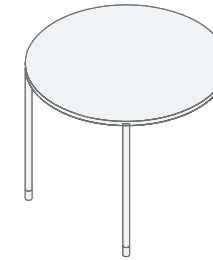
^		
W	Traffic white	
J	Papyrus white	
A	Traffic grey A	
S	Traffic black	

The Table M04 can be assembled without tools. The table legs are screwed into the recessed adapters. Foot adjustments on each table leg make it possible to compensate for uneven floors. There is felt on their underside. The tables are available in many different sizes. If this is not sufficient, the table sizes can be individualised.

From a table size over 180 x 90 cm, the tables have 6 table legs. The additional legs can be arranged centrally or offset.

The table height is 74 cm. Lower foot adjustments are available for table height 72 cm.

The edge of the table top is 5 mm natural or black oiled bamboo. In the plywood version, the entire table top is in this finish. Other table edges are possible. Please note that there are slight colour differences between the colour of the laminate and the colour of the powder coating of the table legs and adapters.



Stand alone table round

table legs steel, powder-coated, table top laminate, table edge bamboo

Article no.	Article	Sales price excl. VAT
M04 310 080 080	Stand alone table round Ø 80 cm edge bamboo	1777.00 €
M04 311 080 080	Stand alone table round Ø 80 cm edge bamboo black	1833.00 €
M04 310 090 090	Stand alone table round Ø 90 cm edge bamboo	1891.00 €
M04 311 090 090	Stand alone table round Ø 90 cm edge bamboo black	1947.00 €
M04 310 120 120	Stand alone table round Ø 120 cm edge bamboo	2389.00 €
M04 311 120 120	Stand alone table round Ø 120 cm edge bamboo black	2446.00 €

Stand alone table round

table legs steel, powder-coated, table top laminate, table edge plywood

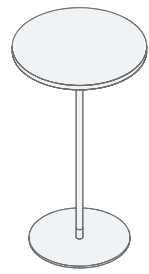
Article no.	Article	Sales price excl. VAT
M04 320 080 080	Stand alone table round Ø 80 cm edge plywood	1685.00 €
M04 320 090 090	Stand alone table round Ø 90 cm edge plywood	1781.00 €
M04 320 120 120	Stand alone table round Ø 120 cm edge plywood	2276.00 €

^		
W	Traffic white	
J	Papyrus white	
A	Traffic grey A	
S	Traffic black	

The Table M04 can be assembled without tools. The table legs are screwed into the recessed adapters. Foot adjustments on each table leg make it possible to compensate for uneven floors. There is felt on their underside. The tables are available in many different sizes. If this is not sufficient, the table sizes can be individualised.

The table height is 74 cm. Lower foot adjustments are available for table height 72 cm.

The edge of the table top is 5 mm natural or black oiled bamboo. In the plywood version, the entire table top is in this finish. Other table edges are possible. Please note that there are slight colour differences between the colour of the laminate and the colour of the powder coating of the table legs and adapters.



Bar table round

table leg steel, powder-coated, table top laminate, table edge bamboo

Article no.	Article	Sales price excl. VAT
M04 410 060 060	Bar table round Ø 60 x 105 cm edge bamboo	1565.00 €
M04 411 060 060	Bar table round Ø 60 x 105 cm edge bamboo black	1621.00 €

Bar table round

table leg steel, powder-coated, table top laminate, table edge plywood

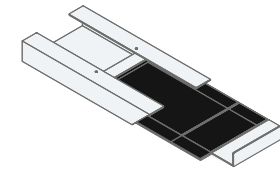
Article no.	Article	Sales price excl. VAT
M04 420 060 060	Bar table round Ø 60 x 105 cm edge plywood	1457.00 €
	^	
	W Traffic white	
	J Papyrus white	
	A Traffic grey A	
	S Traffic black	

The M04 Bar table can be mounted without tools. The table leg is screwed into the recessed adapter. There is an anti-slip foil on the underside of the base plate.

The table height is 105 cm.

The edge of the table top is 5 mm natural or black oiled bamboo. In the plywood version, the entire table top is in this finish. Other table edges are possible. Please note that there are slight colour differences between the colour of the

laminate and the colour of the powder coating of the table legs and adapters.

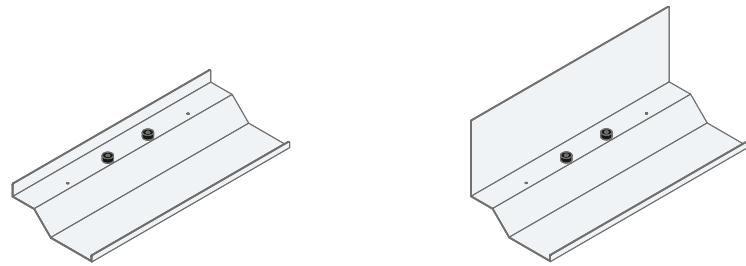


Drawer

drawer aluminium, powder-coated, inserts steel, powder-coated Traffic black

Article no.	Article	Sales price excl. VAT
M04 620 021 054	Drawer 21.5 x 54 x 6,6 cm inside 21 x 10.5 x 4 cm and 21 x 29,7 x 4 cm	714.00 €
	^	
	W Traffic white	
	J Papyrus white	
	A Traffic grey A	
	S Traffic black	

The drawers are fitted on the right or left.



Cable trough

aluminium powder-coated, with adapter

Article no.	Article		Sales price excl. VAT
M04 610 074 030	Cable trough	74 x 30 x 10.5 cm	376.00 €

Cable trough with screen

aluminium powder-coated, with adapter

Article no.	Article		Sales price excl. VAT
M04 615 074 030	Cable trough with screen	74 x 30 x 30.5 cm	420.00 €

^

W Traffic white

J Papyrus white

A Traffic grey A

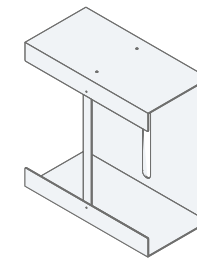
S Traffic black

Cable chain

plastic black, with adapter, per meter in any length

Article no.	Article		Sales price excl. VAT
M04 630 100 004	Cable chain per meter	Ø 4 cm	192.00 €

The cable troughs sit under the tabletop in the middle on the long side of the tables. The cable chain can be attached to them on the right or left.



CPU holder

aluminium powder-coated

Article no.	Article		Sales price excl. VAT
M04 640 021 046	CPU holder	21 x 46 x 46 cm	376.00 €

^

W Traffic white

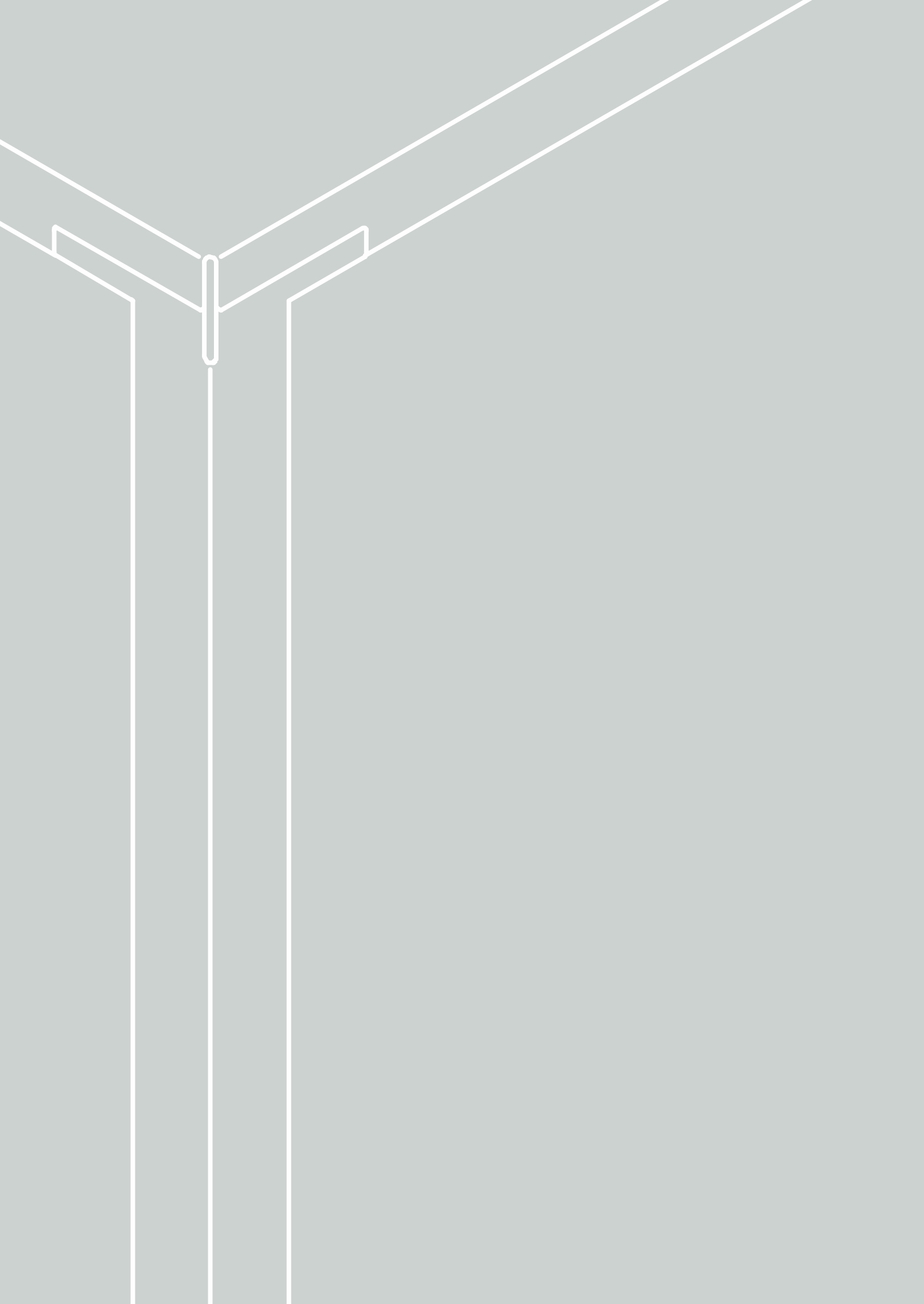
J Papyrus white

A Traffic grey A

S Traffic black

The CPU holders are mounted on the right or left.

Errors and technical modifications excepted. All prices are recommended retail prices. Deliveries are made exclusively in accordance with our terms and conditions. Further information from page 113.



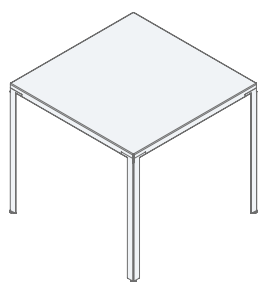
Lotus Table



The special feature of the Lotus Table by Thomas Merkel lies in the detail. The tabletop and legs seem to merge into one another, yet the legs can be removed for transport.

Square and rectangular individual pieces allow the use in different situations. Variants for outdoor use are also available.

Design: Thomas Merkel, 2014



Lotus Table square

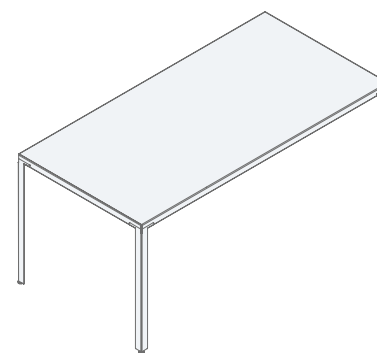
table top and legs steel, powder-coated fine structure

Article no.	Article	Sales price excl. VAT
ML 110 080 080	Lotus Table 80 x 80 cm	971.00 €
	^	
W	Traffic white	
J	Papyrus white	
A	Traffic grey A	
B	Traffic grey B	
S	Traffic black	
P	Special colour RAL - surcharge for colour change 148,- €	

The table height is 72 cm. The Lotus Table is delivered disassembled. The table legs are screwed to the tabletop and have foot adjustments to compensate for uneven floors. The thickness of the table top is 38 mm.

Special colours according to RAL are possible. The surcharge for colour changes for special colours is charged once per order for each special colour. You can find the available special colours in the respective configurators on our

website. You can find an outdoor version in the Outdoor chapter.



Lotus Table rectangular

table top and legs steel, powder-coated fine structure

Article no.	Article	Sales price excl. VAT
ML 210 160 080	Lotus Table 160 x 80 cm	1323.00 €
	^	
ML 210 200 080	Lotus Table 200 x 80 cm	1549.00 €
	^	
W	Traffic white	
J	Papyrus white	
A	Traffic grey A	
B	Traffic grey B	
S	Traffic black	
P	Special colour RAL - surcharge for colour change 148,- €	

The table height is 72 cm. The Lotus Table is delivered disassembled. The table legs are screwed to the tabletop and have foot adjustments to compensate for uneven floors. The thickness of the table top is 38 mm.

Special colours according to RAL are possible. The surcharge for colour changes for special colours is charged once per order for each special colour. You can find the available special colours in the respective configurators on our

website. You can find an outdoor version in the Outdoor chapter.

Errors and technical modifications excepted. All prices are recommended retail prices. Deliveries are made exclusively in accordance with our terms and conditions. Further information from page 113.



Side Table M05 and M05 Edition

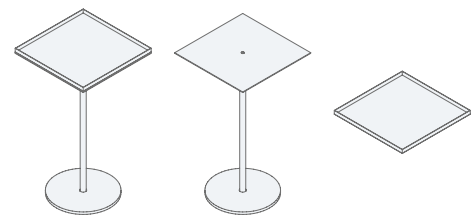


The Side Tables M05 by Thomas Merkel are a mixture of side table, set table and tray table.

The series consists of 4 tables in 4 different heights with 4 different tray shapes: square, round, oval and rectangular. All trays are removable.

Design: Thomas Merkel, 2009/2014





Frame square

steel powder-coated

Article no.	Article		Sales price excl. VAT
M05 310 000 056	Frame square	31.8 x 31.8 x 56.5 cm	205.00 €

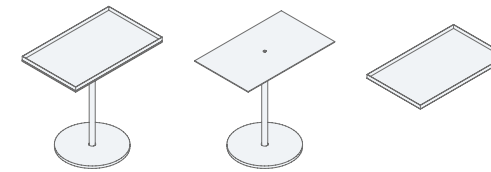
Tray square

steel powder-coated

Article no.	Article		Sales price excl. VAT
M05 410 000 002	Tray square	31.8 x 31.8 x 2 cm	137.00 €
	^		
	W Traffic white		
	J Papyrus white		
	A Traffic grey A		
	B Traffic grey B		
	S Traffic black		

The side tables are delivered disassembled. The necessary tools are included in the delivery. The frame is in three parts and consists of a base plate, table leg and head plate. The head plate has an integrated thread and is screwed onto the table leg. The base plate is attached to the table leg with the enclosed screw. Once the frame is mounted, only the tray is placed on top. It is fixed to the frame by magnetic points. For hard floors, self-adhesive felt dots are

included that can be fixed under the base plate. The tables can be combined individually. Thanks to the different heights, the tables can also be pushed together to save space. The frames of the side tables are powder-coated. The square and rectangular trays are made of sheet steel and are available in different colours.



Frame rectangular

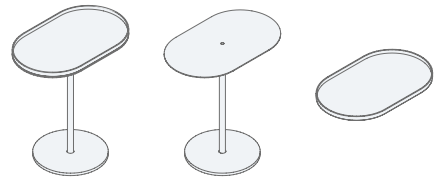
steel powder-coated

Article no.	Article		Sales price excl. VAT
M05 340 000 038	Frame rectangular	40.5 x 25 x 38.5 cm	205.00 €

Tray rectangular

steel powder-coated

Article no.	Article		Sales price excl. VAT
M05 440 000 002	Tray rectangular	40.5 x 25 x 2 cm	137.00 €
	^		
	W Traffic white		
	J Papyrus white		
	A Traffic grey A		
	B Traffic grey B		
	S Traffic black		



Frame oval

steel powder-coated

Article no.	Article		Sales price excl. VAT
M05 330 000 044	Frame oval	43.4 x 26.8 x 44.5 cm	205.00 €
	^		
	W Traffic white		
	J Papyrus white		
	A Traffic grey A		
	B Traffic grey B		
	S Traffic black		

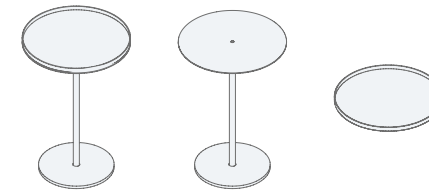
Tray oval

plywood birch natural varnished

Article no.	Article		Sales price excl. VAT
M05 430 000 002 F	Tray oval	43.4 x 26.8 x 2 cm	on request
	^		
	F Birch		

The side tables are delivered disassembled. The necessary tools are included in the delivery. The frame is in three parts and consists of a base plate, table leg and head plate. The head plate has an integrated thread and is screwed onto the table leg. The base plate is attached to the table leg with the enclosed screw. Once the frame is mounted, only the tray is placed on top. It is fixed to the frame by magnetic points. For hard floors, self-adhesive felt dots are

included that can be fixed under the base plate. The tables can be combined individually. Thanks to the different heights, the tables can also be pushed together to save space. The bases of the side tables are powder-coated. The trays are made of different materials and have different surfaces or colours, depending on the shape.



Frame round

steel powder-coated

Article no.	Article		Sales price excl. VAT
M05 320 000 050	Frame round	Ø 35.8 cm x 50.5 cm	205.00 €

Tray round

aluminium powder-coated

Article no.	Article		Sales price excl. VAT
M05 420 000 002	Tray round	Ø 35.8 cm x 2 cm	124.00 €
	^		
	W Traffic white		
	J Papyrus white		
	A Traffic grey A		
	B Traffic grey B		
	S Traffic black		

You can find an outdoor version in the Outdoor chapter.



Edition

Table round

tray stainless steel sanded, untreated, frame steel powder-coated Ironglimmer

Article no.	Article		Sales price excl. VAT
M05 120 000 052 NE	Table round	Ø 35.8 cm x 52.5 cm	499.00 €

Table round

tray copper sanded, untreated, frame steel powder-coated Rust

Article no.	Article		Sales price excl. VAT
M05 120 000 052 UR	Table round	Ø 35.8 cm x 52.5 cm	673.00 €

Table round

tray brass sanded, untreated, frame steel powder-coated Bronze grey

Article no.	Article		Sales price excl. VAT
M05 120 000 052 ZG	Table round	Ø 35.8 cm x 52.5 cm	627.00 €

^

E Ironglimmer

R Rust

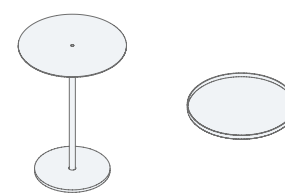
G Bronze grey

N Stainless steel

U Copper

Z Brass

The M05 Edition includes round tables with trays made of stainless steel, copper and brass. The surfaces of stainless steel, copper and brass are untreated and become more matt with time and acquire a patina. Appropriate care products are available in the trade.



Frame round

steel powder-coated

Article no.	Article			Sales price excl. VAT
M05 320 000 050 E	Frame round	Ironglimmer	Ø 35.8 cm x 50.5 cm	247.00 €
M05 320 000 050 R	Frame round	Rust	Ø 35.8 cm x 50.5 cm	247.00 €
M05 320 000 050 G	Frame round	Bronze grey	Ø 35.8 cm x 50.5 cm	247.00 €

Tray round

stainless steel, copper or brass

Article no.	Article			Sales price excl. VAT
M05 420 000 002 N	Tray round	Stainless steel sanded, untreated	Ø 35.8 cm x 2 cm	252.00 €
M05 420 000 002 U	Tray round	Copper sanded, untreated	Ø 35.8 cm x 2 cm	426.00 €
M05 420 000 002 Z	Tray round	Brass sanded, untreated	Ø 35.8 cm x 2 cm	380.00 €

Errors and technical modifications excepted. All prices are recommended retail prices. Deliveries are made exclusively in accordance with our terms and conditions. Further information from page 113.



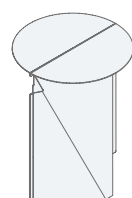
Side Table Kaiser



The Side Table Kaiser by Thomas Merkel, each consisting of two identical elements, unite the exciting contrast between the low thickness of the material of the table surface and the voluminous plinth-like base.

A play of geometric shapes and the evolution of a 2-dimensional material into a 3-dimensional structure.

Design: Thomas Merkel, 2015



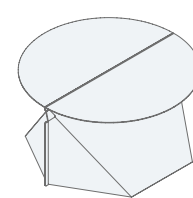
Large Kaiser

steel, powder-coated fine structure, with adjustable feet

Article no.	Article		Sales price excl. VAT
MK 100 040 052	Large Kaiser	Ø 40 cm x 52.5 cm	842.00 €
	^		
	W Traffic white		
	J Papyrus white		
	A Traffic grey A		
	B Traffic grey B		
	S Traffic black		
	P Special colour RAL - surcharge for colour change 148,- €		

The side table Large Kaiser consists of two identical parts that are screwed together. This means that they can also be dismantled for thorough cleaning. They are delivered assembled. The tables have foot adjustments to compensate for uneven floors. The thickness of the table top is 2 mm. Special colours according to RAL are possible. The surcharge for colour changes for special colours is charged once per order for each special colour.

You can find the available special colours in the respective configurators on our website.



Small Kaiser

steel, powder-coated fine structure, with adjustable feet

Article no.	Article		Sales price excl. VAT
MK 200 060 032	Small Kaiser	Ø 60 cm x 32.5 cm	967.00 €
	^		
	W Traffic white		
	J Papyrus white		
	A Traffic grey A		
	B Traffic grey B		
	S Traffic black		
	P Special colour RAL - surcharge for colour change 148,- €		

The side table Small Kaiser consists of two identical parts that are screwed together. This means that they can also be dismantled for thorough cleaning. They are delivered assembled. The tables have foot adjustments to compensate for uneven floors. The thickness of the table top is 2 mm. The table surface of the Small Kaiser is doubled. Special colours according to RAL are possible. The surcharge for colour changes for special colours is charged

once per order for each special colour. You can find the available special colours in the respective configurators on our website.

Errors and technical modifications excepted. All prices are recommended retail prices. Deliveries are made exclusively in accordance with our terms and conditions. Further information from page 113.

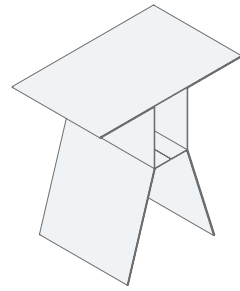


Side Table Kanji



The design of the Side Table Kanji by Thomas Merkel is inspired by the characters of the Japanese language. Just as the thickness of the strokes varies in calligraphy with a bamboo nib, Kanji changes when viewed spatially: its shape appears linear or two-dimensional depending on the angle of view.

Design: Thomas Merkel, 2014



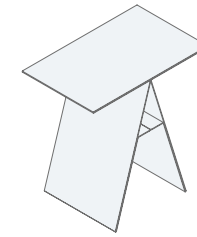
Kanji H

steel sheet 2 mm, powder-coated fine structure

Article no.	Article		Sales price excl. VAT
MH 100 050 050	Kanji H	50 cm x 31 cm x 50 cm	671.00 €
	^		
W	Traffic white		
J	Papyrus white		
A	Traffic grey A		
B	Traffic grey B		
S	Traffic black		
P	Special colour RAL - surcharge for colour change 148,- €		

Kanji is based on a complex production process, because the tables each consist of a single 2 mm thick sheet metal strip whose ends only almost touch. This means that 45 minutes of pure folding work goes into each table. The side tables cannot be used as stools. Special colours according to RAL are possible. The surcharge for colour changes for special colours is charged once per order for each special colour. You can find the available special colours

in the respective configurators on our website. You can find an outdoor version in the Outdoor chapter.



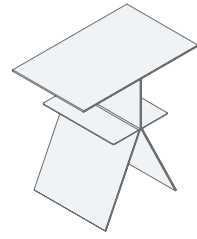
Kanji A

steel sheet 2 mm, powder-coated fine structure

Article no.	Article		Sales price excl. VAT
MA 100 040 040	Kanji A	40 cm x 25 cm x 40 cm	601.00 €
	^		
W	Traffic white		
J	Papyrus white		
A	Traffic grey A		
B	Traffic grey B		
S	Traffic black		
P	Special colour RAL - surcharge for colour change 148,- €		

Kanji is based on a complex production process, because the tables each consist of a single 2 mm thick sheet metal strip whose ends only almost touch. This means that 45 minutes of pure folding work goes into each table. The side tables cannot be used as stools. Special colours according to RAL are possible. The surcharge for colour changes for special colours is charged once per order for each special colour. You can find the available special colours

in the respective configurators on our website. You can find an outdoor version in the Outdoor chapter.



Kanji F
steel sheet 2 mm, powder-coated fine structure

Article no.	Article		Sales price excl. VAT
MF 100 040 040	Kanji F	40 cm x 25 cm x 40 cm	601.00 €
	^		
	W	Traffic white	
	J	Papyrus white	
	A	Traffic grey A	
	B	Traffic grey B	
	S	Traffic black	
	P	Special colour RAL - surcharge for colour change 148,- €	

Kanji is based on a complex production process, because the tables each consist of a single 2 mm thick sheet metal strip whose ends only almost touch. This means that 45 minutes of pure folding work goes into each table. The side tables cannot be used as stools. Special colours according to RAL are possible. The surcharge for colour changes for special colours is charged once per order for each special colour. You can find the available special colours

in the respective configurators on our website. You can find an outdoor version in the Outdoor chapter.

Errors and technical modifications excepted. All prices are recommended retail prices. Deliveries are made exclusively in accordance with our terms and conditions. Further information from page 113.

We believe that life is made of changes and it is good if things can change as well, our own development has also taught us this. S+, more than a decade of furniture history, made in Germany.



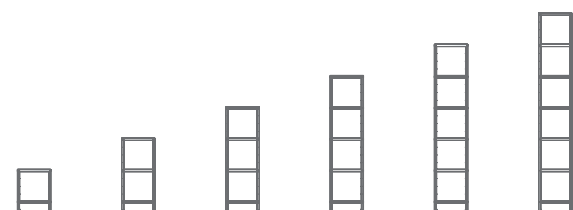
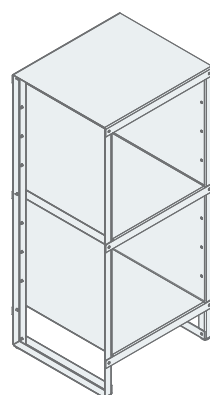
Nitō



The construction for a piece of furniture was created from a typical connecting element for aluminium.

Nitō is simple, light, stands freely in the room and comes home fully assembled. Like a bridge, it is firmly riveted and functionally complemented by various accessories.

Design: Thomas Merkel, 1993/2021

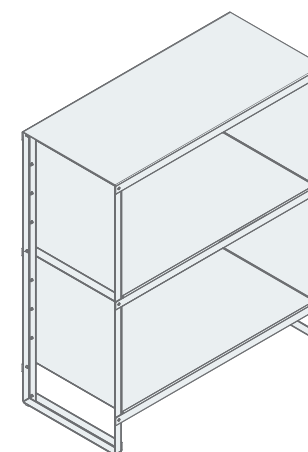


Nitō - width 40 cm

aluminium sheet 2 mm, powder-coated, felt

Article no.	Article		Sales price excl. VAT
MN 101010	Nitō - 1/1 - 40 x 35 x 50.5 cm	<i>inside 35 x 35 x 35 cm</i>	397.00 €
MN 101020	Nitō - 1/2 - 40 x 35 x 88 cm	<i>inside per unit 35 x 35 x 35 cm</i>	582.00 €
MN 101030	Nitō - 1/3 - 40 x 35 x 125.5 cm	<i>inside per unit 35 x 35 x 35 cm</i>	794.00 €
MN 101040	Nitō - 1/4 - 40 x 35 x 163 cm	<i>inside per unit 35 x 35 x 35 cm</i>	983.00 €
MN 101050	Nitō - 1/5 - 40 x 35 x 200.5 cm	<i>inside per unit 35 x 35 x 35 cm</i>	1202.00 €
MN 101060	Nitō - 1/6 - 40 x 35 x 238 cm	<i>inside per unit 35 x 35 x 35 cm</i>	1400.00 €
^			
W	Traffic white		
J	Papyrus white		
A	Traffic grey A		
B	Traffic grey B		
S	Traffic black		
P	Special colour RAL - surcharge for colour change 148,- €		

Special colours according to RAL are possible. The surcharge for colour changes for special colours is charged once per order for each special colour. You can find the available special colours in the respective configurators on our website.

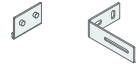


Nitō - width 75 cm

aluminium sheet 2 mm, powder-coated, felt

Article no.	Article		Sales price excl. VAT
MN 102010	Nitō - 2/1 - 75 x 35 x 50.5 cm	<i>inside 70 x 35 x 35 cm</i>	512.00 €
MN 102020	Nitō - 2/2 - 75 x 35 x 88 cm	<i>inside per unit 70 x 35 x 35 cm</i>	735.00 €
MN 102030	Nitō - 2/3 - 75 x 35 x 125.5 cm	<i>inside per unit 70 x 35 x 35 cm</i>	967.00 €
MN 102040	Nitō - 2/4 - 75 x 35 x 163 cm	<i>inside per unit 70 x 35 x 35 cm</i>	1198.00 €
MN 102050	Nitō - 2/5 - 75 x 35 x 200.5 cm	<i>inside per unit 70 x 35 x 35 cm</i>	1426.00 €
MN 102060	Nitō - 2/6 - 75 x 35 x 238 cm	<i>inside per unit 70 x 35 x 35 cm</i>	1653.00 €
^			
W	Traffic white		
J	Papyrus white		
A	Traffic grey A		
B	Traffic grey B		
S	Traffic black		
P	Special colour RAL - surcharge for colour change 148,- €		

Special colours according to RAL are possible. The surcharge for colour changes for special colours is charged once per order for each special colour. You can find the available special colours in the respective configurators on our website.



Accessories

aluminium sheet 2 mm, powder-coated, with screws

Article no.	Article	Sales price excl. VAT
MN 800000	Shelf connector	4.00 €
MN 810000	Wall fixing	15.00 €
^		
W	Traffic white	
J	Papyrus white	
A	Traffic grey A	
B	Traffic grey B	
S	Traffic black	
P	Special colour RAL - surcharge for colour change 148,- €	

Connectors are used to link individual shelves placed next to each other.

We recommend four connectors per shelf (two at the front and two at the back). For uneven floors, possibly more.

The wall fixing is used to secure high shelves to the wall. We recommend using from a Nitō height of 4 (163 cm), when using several drawers and depending on use.



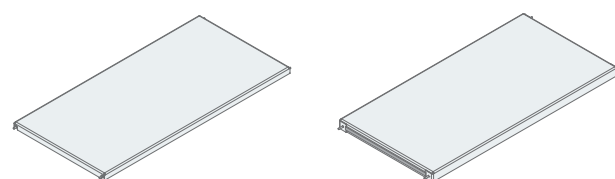
Outsides

aluminium sheet 2 mm, powder-coated, with Shelf connectors and screws

Article no.	Article	Sales price excl. VAT
MN 200010	Outside - 1 - 35 x 50.5 cm	121.00 €
MN 200020	Outside - 2 - 35 x 88 cm	157.00 €
MN 200030	Outside - 3 - 35 x 125.5 cm	199.00 €
MN 200040	Outside - 4 - 35 x 163 cm	247.00 €
MN 200050	Outside - 5 - 35 x 200.5 cm	293.00 €
MN 200060	Outside - 6 - 35 x 238 cm	309.00 €
^		
W	Traffic white	
J	Papyrus white	
A	Traffic grey A	
B	Traffic grey B	
S	Traffic black	
P	Special colour RAL - surcharge for colour change 148,- €	

Outsides can be used as an option. The four connectors for fastening are already included in each case.

Special colours according to RAL are possible. The surcharge for colour changes for special colours is charged once per order for each special colour. You can find the available special colours in the respective configurators on our website.



Intermediate shelves

aluminium sheet 2 mm, powder-coated

Article no.	Article	Sales price excl. VAT
MN 301000	Adjustable intermediate shelf 35 x 35 x 2 cm	77.00 €
MN 311000	Constructive intermediate shelf 35 x 35 x 3 cm	86.00 €
MN 302000	Adjustable intermediate shelf 70 x 35 x 2 cm	119.00 €
MN 312000	Constructive intermediate shelf 70 x 35 x 3 cm	135.00 €

^

W Traffic white

J Papyrus white

A Traffic grey A

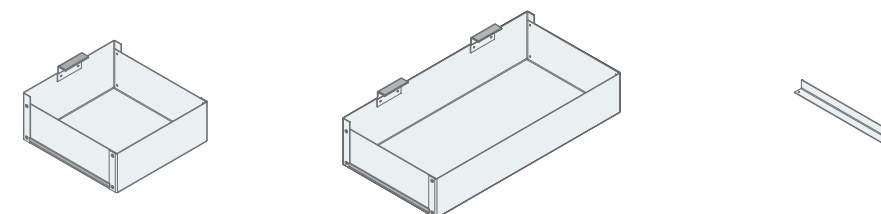
B Traffic grey B

S Traffic black

P Special colour RAL - surcharge for colour change 148,- €

Adjustable intermediate shelves can also be used behind sliding doors and in combination with rear walls. They rest on floor bearers.

Constructive intermediate shelves are screwed in place and are always needed when drawers are used.



Drawers

aluminium sheet 2 mm, powder-coated, felt

Article no.	Article	Sales price excl. VAT
MN 321000	Drawer 35 x 35 x 15 cm <i>inside 33 x 34.5 x 15 cm</i>	176.00 €
MN 322000	Drawer 70 x 35 x 15 cm <i>inside 68.5 x 34.5 x 15 cm</i>	263.00 €

Drawer accessories

aluminium sheet 2 mm, powder-coated, tape

Article no.	Article	Sales price excl. VAT
MN 320000	Bracket to fix a single drawer 35 cm	26.00 €
^		
W	Traffic white	
J	Papyrus white	
A	Traffic grey A	
B	Traffic grey B	
S	Traffic black	
P	Special colour RAL - surcharge for colour change 148,- €	

If drawers are used, a constructive intermediate shelf in the respective width per compartment is always required. It is also possible to use one or two drawers 35 cm by means of one or two brackets to fix a single drawer 35 cm in a Nitö 2 (width 75 cm).

Special colours according to RAL are possible. The surcharge for colour changes for special colours is charged once per order for each special colour. You can find the available special colours in the respective configurators on our website.

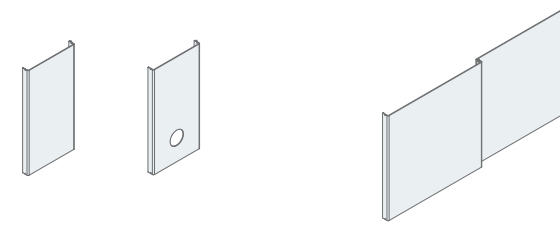


Sliding door and back panel profiles

aluminium sheet, powder-coated, with screws

Article no.	Article	Sales price excl. VAT
MN 411000	Sliding door and back panel profile 40 cm	107.00 €
MN 421000	Sliding door and back panel profile, centered 40 cm	116.00 €
MN 412000	Sliding door and back panel profile 75 cm	125.00 €
MN 422000	Sliding door and back panel profile, centered 75 cm	134.00 €
^		
W	Traffic white	
J	Papyrus white	
A	Traffic grey A	
B	Traffic grey B	
S	Traffic black	
P	Special colour RAL - surcharge for colour change 148,- €	

For the use of sliding doors or back panels, two sliding door and back panel profiles are required per compartment. If two back panels or sliding doors are to be positioned directly above each other, an additional sliding door and back panel profile centered is required between them.



Back panels

aluminium sheet 2 mm, powder-coated

Article no.	Article	Sales price excl. VAT
MN 501010	Back panel 17.5 x 35 cm	41.00 €
MN 510010	Back panel with cable passage 50 mm Ø 17.5 x 35 cm	41.00 €

Sliding doors

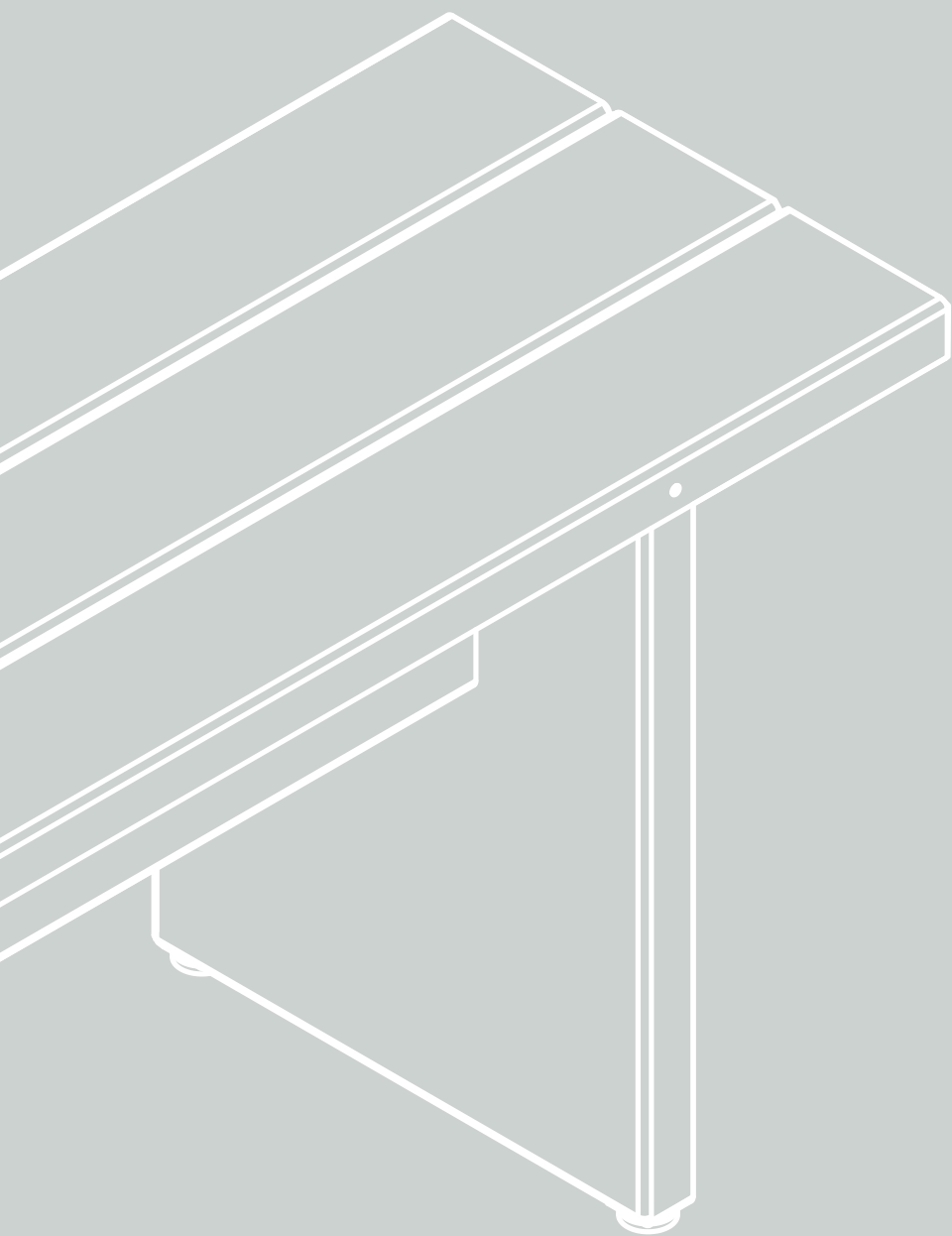
aluminium sheet 2 mm, powder-coated

Article no.	Article	Sales price excl. VAT
MN 601010	Pair of sliding doors 35 x 35 cm	79.00 €
MN 602010	Pair of sliding doors 70 x 35 cm	144.00 €
^		
W	Traffic white	
J	Papyrus white	
A	Traffic grey A	
B	Traffic grey B	
S	Traffic black	
P	Special colour RAL - surcharge for colour change 148,- €	

For Nitö 1 (width 40 cm), two back panels are required per compartment and for Nitö 2 (width 75 cm), four back panels are required per compartment.

For Nitö 1 (width 40 cm), one pair of 35 cm wide sliding doors is required per compartment and for Nitö 2 (width 75 cm), one pair of 70 cm wide sliding doors is required per compartment.

Errors and technical modifications excepted. All prices are recommended retail prices. Deliveries are made exclusively in accordance with our terms and conditions. Further information from page 113.

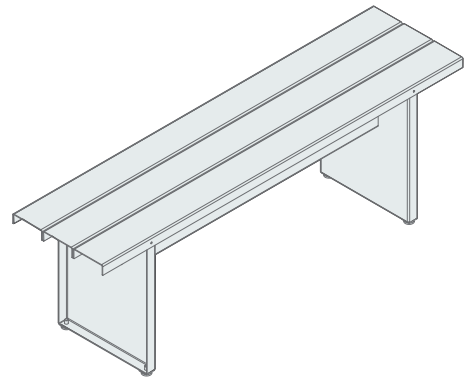


Benchi



Benchi, ベンチ Japanese for bench, is a lightweight aluminium bench that is available in many different colours and impresses with its reduced design and versatility. Whether in the narrow hallway, in the children's room, in the living room or in the conservatory, Benchi adapts and offers space.

Design: Thomas Merkel, 2023



Benchi
aluminium sheet 2 mm, powder-coated, with adjustable feet

Article no.	Article		Sales price excl. VAT
MB 100120	Benchi	120 cm x 30 cm x 40 cm	563.00 €
	^		
W	Traffic white		
J	Papyrus white		
A	Traffic grey A		
B	Traffic grey B		
S	Traffic black		
O	Ultramarine blue		
P	Special colour RAL - surcharge for colour change 148,- €		

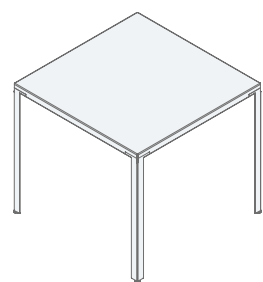
Benchi is made of 2 mm aluminium and is therefore very light. This makes it easy to use wherever it is needed. Its surface is robust because it is powder-coated. Special colours according to RAL are possible. The surcharge for colour changes for special colours is charged once per order for each special colour. You can find the available special colours in the respective configurators on our website.

Errors and technical modifications excepted. All prices are recommended retail prices. Deliveries are made exclusively in accordance with our terms and conditions. Further information from page 113.

Outdoor



Here you will find some of our furniture also as outdoor version. What they all have in common is that they are made of powder-coated stainless steel.



Lotus Table square - Outdoor

table top and legs stainless steel, powder-coated fine structure

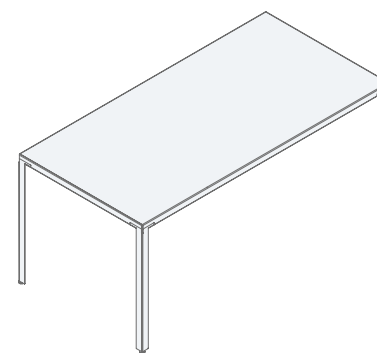
Article no.	Article	Sales price excl. VAT
ML 120 080 080	Lotus Table Outdoor 80 x 80 cm	1275.00 €
	^	
W	Traffic white	
J	Papyrus white	
A	Traffic grey A	
B	Traffic grey B	
S	Traffic black	
P	Special colour RAL - surcharge for colour change 148,- €	

The table height is 72 cm. The Lotus Table is delivered disassembled. The table legs are screwed to the tabletop and have foot adjustments to compensate for uneven floors. The thickness of the table top is 38 mm.

In this outdoor version, the table is made of stainless steel.

Special colours according to RAL are possible. The surcharge for colour changes for special colours is charged once per order for each special colour.

You can find the available special colours in the respective configurators on our website.



Lotus Table rectangular - Outdoor

table top and legs stainless steel, powder-coated fine structure

Article no.	Article	Sales price excl. VAT
ML 220 160 080	Lotus Table Outdoor 160 x 80 cm	1768.00 €
	^	
ML 220 200 080	Lotus Table Outdoor 200 x 80 cm	2105.00 €
	^	
W	Traffic white	
J	Papyrus white	
A	Traffic grey A	
B	Traffic grey B	
S	Traffic black	
P	Special colour RAL - surcharge for colour change 148,- €	

The table height is 72 cm. The Lotus Table is delivered disassembled. The table legs are screwed to the tabletop and have foot adjustments to compensate for uneven floors. The thickness of the table top is 38 mm.

In the outdoor version, the table is made of stainless steel.

Special colours according to RAL are possible. The surcharge for colour changes for special colours is charged once per order for each special colour.

You can find the available special colours in the respective configurators on our website.



Frame - Outdoor

stainless steel powder-coated

Article no.	Article		Sales price excl. VAT
M05 312 000 056	Frame square Outdoor	31.8 x 31.8 x 56.5 cm	629.00 €
M05 342 000 038	Frame rectangular Outdoor	40.5 x 25 x 38.5 cm	629.00 €
M05 322 000 050	Frame round Outdoor	Ø 35.8 cm x 50.5 cm	629.00 €
	^		
W	Traffic white		
J	Papyrus white		
A	Traffic grey A		
B	Traffic grey B		
S	Traffic black		

The side tables are delivered disassembled. The necessary tools are included in the delivery. The frame is in three parts and consists of a base plate, table leg and head plate. The head plate has an integrated thread and is screwed onto the table leg. The base plate is attached to the table leg with the enclosed screw. Once the frame is mounted, only the tray is placed on top. It is fixed to the frame by magnetic points. For hard floors, self-adhesive felt dots are

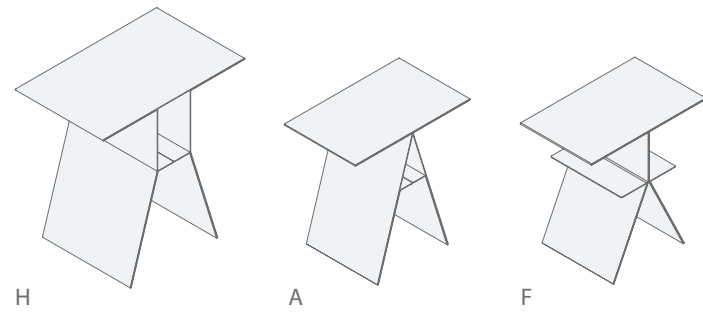
included that can be fixed under the base plate. The tables can be combined individually. Thanks to the different heights, the tables can also be pushed together to save space. The bases of the side tables are made of powder-coated stainless steel and. The trays are made of powder-coated stainless steel or aluminium.



Tray - Outdoor

stainless steel resp. aluminium ¹ powder-coated

Article no.	Article		Sales price excl. VAT
M05 412 000 002	Tray square Outdoor	31.8 x 31.8 x 2 cm	160.00 €
M05 442 000 002	Tray rectangular Outdoor	40.5 x 25 x 2 cm	160.00 €
M05 422 000 002	Tray round Outdoor ¹	Ø 35.8 cm x 2 cm	124.00 €
	^		
W	Traffic white		
J	Papyrus white		
A	Traffic grey A		
B	Traffic grey B		
S	Traffic black		



Kanji H - Outdoor

stainless steel 2mm, powder-coated fine structure

Article no.	Article		Sales price excl. VAT
MH 102 050 050	Kanji H Outdoor	50 cm x 31 cm x 50 cm	852.00 €

Kanji A - Outdoor

stainless steel 2mm, powder-coated fine structure

Article no.	Article		Sales price excl. VAT
MA 102 040 040	Kanji A Outdoor	40 cm x 25 cm x 40 cm	710.00 €

Kanji F - Outdoor

stainless steel 2mm, powder-coated fine structure

Article no.	Article		Sales price excl. VAT
MF 102 040 040	Kanji F Outdoor	40 cm x 25 cm x 40 cm	710.00 €

^

W Traffic white

J Papyrus white

A Traffic grey A

B Traffic grey B

S Traffic black

P Special colour RAL - surcharge for colour change 148,- €

Kanji is based on a complex manufacturing process, because the tables each consist of a single 2 mm thick sheet metal strip whose ends only almost touch. This means that 45 minutes of pure folding work goes into each table.

The side tables cannot be used as stools. In this outdoor version, the table is made of stainless steel.

Special colours according to RAL are possible. The surcharge for colour changes for special colours is charged

once per order for each special colour. You can find the available special colours in the respective configurators on our website.

Errors and technical modifications excepted. All prices are recommended retail prices. Deliveries are made exclusively in accordance with our terms and conditions. Further information from page 113.

Delivery time for standard items approx. 6 - 7 weeks ex works

Germany: 45,- € minimum quantity surcharge for total sales below 920,- €

Switzerland: 65,- € minimum quantity surcharge for total sales below 920,- €

Pro rata costs for customs clearance and export declaration €45 per delivery to Switzerland

Netherlands, Belgium, Luxembourg, Austria, Italy: 75,- € minimum quantity surcharge for total sales below 1.400,- €

Special sizes are possible for many items for an additional charge, please enquire

Please refer to our configurators for the availability of special colours

Delivery time for customised products approx. 8 - 10 weeks ex works

Subject to errors and technical change

General Terms and Conditions of Business

I. Scope

We (S+ Systemmöbel GmbH) – hereinafter referred to as the contractor – work exclusively on the basis of these General Sale, Delivery and Payment terms and conditions of Business. All components of which shall apply as accepted by placing the order. Conflicting purchasing terms of the customer - are not included in the agreement, neither through silence nor delivery, but only through our express written consent for each transaction.

Oral ancillary agreements to the agreement do not exist. Ancillary agreements, supplements or changes must be in writing to be effective.

II. Offers

Our offers are subject to confirmation, insofar as not otherwise expressly agreed. All offer information regarding delivery terms, weights, service, necessary equipment, functions, dimensions etc., as well as drawings that relate to the offer, completed specification sheets and general technical data are roughly in accordance with our best judgement, however not binding.

We are entitled, to deliver modified and adjusted contractual products deviating from the customer's order insofar as their functionality is not thereby impaired.

With respect to any improvements or other justified modifications we reserve the right to change our brochures. We are not obligated to provide special notice regarding these types of modifications. No liability will be assumed for typographical errors.

III. Prices and payment terms

Our prices are net prices. Decisive for the price calculation is the price valid on the date of delivery, insofar as no deviating price agreements have been met; Also, the VAT valid on the date of the delivery will be added.

The information on prices contained in our price lists, offers, acceptances as well as letters of confirmation shall apply subject to the proviso that the aforesaid prices shall be correspondingly increased or reduced as a result of unanticipated change in the basis for the calculations due to interventions by the legislature or third parties (e.g. currency appreciations and/or devaluations). If not otherwise agreed, we deliver up to order values of € 920.00 within Germany carriage paid. Payments are to be made within 30 days net following invoice date or as specified in the confirmation of order. Deliveries, which remain in our possession, because the buyer's delivery instructions are pending, shall be invoiced on the agreed date of delivery and are payable within 30 days. Incoming payments will be offset against the debt in the order of accrual. Cheques and

discountable notes shall be accepted pursuant the standard proviso. You will be credited on the date on which we have the countervalue of the security at our disposal. Expenses for discount, bank and collections shall be borne by the ordering party. In the event of exceeding the payment term or incomplete timely payment the ordering party shall be considered to be in arrears, even without reminder notice. We shall be entitled uninjured by other claims, to demand the lawful amount of interest on arrears. If the buyer is in arrears with payment or there is justified doubt in its ability to pay, then we are authorised to set all accounts receivables as payable or demand securities even prior to delivery, to retain pending deliveries under this and other agreements as well as to withdraw in whole or in part from existing agreements.

The customer can only offset with receivables that are undisputed or determined to be legally binding and only to assert a right of retention for such claims that relate to the same contractual relationship. The assertion of the right to refuse to provide a service or the right of retention requires our prior written consent.

Orders with agreed prepayment instalments shall be contractually transacted under the proviso that the advance payments are made to contractor as provided for in the schedule. Payment delays shall effect corresponding delivery delays and may in extraordinary cases lead to discontinuation of the work.

IV. Delivery

Shipping and conveying the goods shall be at cost and risk to the ordering party. The risk shall pass to the ordering party as soon as the goods leave the factory or are made available to the ordering party. This transfer of risk shall also apply for free deliveries.

Agreed delivery dates apply as satisfied, if the contractual product was transferred to the freight carrier on the agreed delivery date.

The delivery date is understood to be subject to unanticipated circumstances and obstacles, independent from whether these occur with the contractor or with the manufacturer, such as acts of god, government measures, labour disputes of any type, sabotage, raw materials shortages, delay in material delivery which is no fault of the parties. These types of events extend the delivery date correspondingly and even if they occur during an existing delay. If the contractor is more than four weeks in arrears with a delivery, the customer may withdraw from the contract, following a grace period specified in writing, excluding further claims. If the delivery delays last longer than six weeks the contractor shall also be entitled in whole or in part to withdraw from the agreement. If orders confirmed by the customer are in whole

or in part cancelled or delivery schedules agreed to with us are delayed, for which it is responsible, the contractor can assert claims for compensation without separate notice, corresponding to the list price of the order.

The agreement on the postponement of delivery deadlines must be in writing. In event of delayed acceptance the contractor, in addition to the right to payment shall have the right to either set a new delivery date or to withdraw from the contract. Following delivery orders can no longer be cancelled.

The delivery deadline shall be extended irrespective of our rights from the customer delay in the amount of time that the customer is in arrears with its obligations vis-à-vis the contractor.

V. Acceptance

The customer shall immediately inspect the goods after delivery with respect to completeness and conformity pursuant the invoice. If no objection is made within a period of 8 days following receipt of the delivery the delivery shall apply as accepted.

Non essential defects, which do not impair the functionality of the deliveries, shall not entitle the customer to decline acceptance.

VI. Guarantee

The contractor guarantees that the quality and workmanship of the contractual products are according to specifications.

The warranty claim presupposes that the customer is not in default vis-à-vis payment.

Warranty claims against the contractor begin upon delivery to the customer and shall be time-barred twelve months from delivery. They are not transferable.

In the event of warranty claim, a subsequent improvement or substitute delivery shall be at the discretion of the contractor. Replacement parts shall become property of the contractor. In the event defects are not remedied by the contractor within an appropriate grace period specified in writing, the customer shall be entitled to either rescind the agreement or to demand an appropriate reduction in the purchase price. If the review of a notice of defect decides that a warranty claim does not exist, the contractor shall be entitled to claim reimbursement of all its expenses. Costs of the inspection and repairs shall be calculated based on each of the contractor's valid service prices. 6) All further claims of the customer provided for under these terms or otherwise, particularly liability for direct damages, entirely regardless of legal foundation, are excluded, insofar as not otherwise agreed.

VII. Liability

Our liability is restricted to such damages, which

Version 01.01.2013

were reasonably to be expected, given the circumstances known at the time of the conclusion of contract. The contractor shall not be liable for indirect damages, consequential loss/damage caused by a defect or loss of profits.

The liability of the contractor for malicious and grossly negligent actions, for guaranteed quality as well as pursuant the provisions of the product liability act remain unaffected by the aforementioned liability restrictions. The personal liability by contractor members, who are acting as our agents, is excluded.

Claims for damages shall be time barred upon expiration of six months after delivery and/or provision of the service.

VIII. Payment proviso

Our obligation under this agreement exists under the caveat of the customer's creditworthiness. In the event of significant worsening of the financial circumstances, in the event of suspension of payment, compulsory execution, the opening of insolvency proceedings, dissolution or transfer of business or death of the customer or if the customer pledges the purchased goods or grants them as security to other creditors or if it is in arrears with us for previous deliveries, we are entitled to demand security and if this is not sufficiently provided, to withdraw from the agreement or to demand compensation for damages. This shall apply correspondingly if we receive unfavourable information on the customer's creditworthiness. If we withdraw from the agreement, all transport, warehouse and other costs shall be borne by the customer. Our deliveries are exclusively for resale to end-users. In the event of resale of our goods to dealers we reserve the right to withdraw from the agreement and cease further deliveries.

IX. Retention of title

The contractual product remains our property until satisfaction of all current and future claims under this contract and moreover from the entire business relationship with the customer. The customer shall have the revocable right to transfer the reserved goods in the due course of business under retention of title, however not to pledge or assign security in any form whatever. In the event a third party accesses the reserved goods, the customer shall instruct them that they are the contractor's property and notify us immediately. In the event of resale to third parties the customer shall be responsible that the third party adheres to the contractor's rights. In the event of payment delay, also in other and future contractor deliveries or services to the customer, or dwindling assets of the customer, the contractor may enter the business premises of the

customer to assert the retention of title to the reserved goods and take possession of the reserved goods. If the buyer withdraws the delivery object on the basis of the retention of title this shall not apply as a withdrawal from the agreement. The seller shall be permitted to sell the reserved goods.

Assertion of the retention of title or the garnishment of the object of the delivery by the contractor shall not apply as a withdrawal from the agreement if the customer is a dealer. At the point in time of placing the order, the customer shall assign its accounts receivables from the resale of the reserved goods to the contractor in advance in the respective invoice value of the reserved goods. The contractor shall be entitled and obligated to collect in the framework of the due course of business. At the contractor's request the customer shall specify the assigned accounts receivables. The contractor may disclose this assignment at any time in order to secure its pecuniary claims.

If the value of these securities exceeds the contractor's pecuniary claims by more than 20%, the contractor shall at the request of the customer release the excess amount of the securities. For testing and demonstration purposes delivered objects remain the contractor's property. They may be used by the customer only based on separate agreement with the contractor.

X. Third party industrial protection rights and trademarks

The contractor assumes no liability that the contractual products do not breach any industrial property rights or third party trademarks. The customer is therefore to immediately notify the contractor of all claims levied against it. If the delivered products were manufactured pursuant customer designs or instructions, the customer shall release the contractor from all claims that are asserted by third parties due to the breach of industrial property rights and trademarks as desired. Any court costs are to be correspondingly advanced.

XI. General Terms and Conditions

The customer is not entitled to transfer its claims under this agreement. Place of performance and jurisdiction is Cologne. The contractor is however entitled to sue the distribution partners at any other legal venue. The Convention for the Purchase of Goods (EKG), the Standard Conclusion of Contract Act (EAG) as well as the Viennese UN agreement on the sale of international goods (UNCITRAL) are excluded. Order processing within contractor is via automatic data processing. The customer herewith declares its express consent to processing the data which has been made known to the contractor in

the context of the contractual relationship and which is necessary to process the order. The customer is also thereby in agreement that the contractor uses the data it has received through the business relationship in the sense of the data protection act for contractor business purposes including within companies affiliated with the contractor.

If one or more terms of these General Terms and Conditions of Business are or become inoperable or this contract text contains loopholes, the contractual parties shall agree that the inoperable or incomplete terms be replaced or supplemented by such terms corresponding as closely as possible to the commercial purpose of the desired term. The validity of the remaining terms are thereby unaffected.

Imprint

S+ Systemmöbel manufactures shelves, sideboards, tables, side tables and benches that are characterised by a reduced design language and adaptability. They are well thought-out, unobtrusive and offer suitable variants for every situation in which they are used.

The Planning book is intended to make it easier for the user to handle our system furniture. It is much more than a price list. It provides assembly and care instructions and facilitates planning with its detailed descriptions.

Errors and technical modifications excepted. All prices are recommended retail prices in EURO excluding VAT ex works.

8th edition February 2024

S+ Systemmöbel GmbH
Janderstraße 8
68199 Mannheim
Germany
Tel.: +49 (0)621 437 67 437
info@systemmoebel-plus.com
www.systemmoebel-plus.com

s⁺ Systemmöbel