



Mounting instruction

Horizontal wall profile

Horizontal wall profiles will be screwed on the wall and allow the hanging of corpora. The wall profiles are invisible. The length to be used depends on the dimensions of the corpora. For example for three corpora 80 cm it's necessary to take a wall profile in the length of 240 cm (pure length of the profile 226 cm). For mounting proof and resilient walls are required. Weaker walls can only carry small loads. Please use only anchor bolts suitable for the particular wall. For the total mass outside the grid dimensions (80 or 120 cm) have to be added. The total depth (without grip) is the depth of the corpus 40 + 1 cm. The same corpus can also be arranged free on feet or mobile on castors.

Please check the content of the mounting accessories box if it is complete with the help of the internal delivery note. For the mounting the following additional articles are necessary:

Anchor bolts suitable for the particular wall. The number depends on the used horizontal wall profiles:

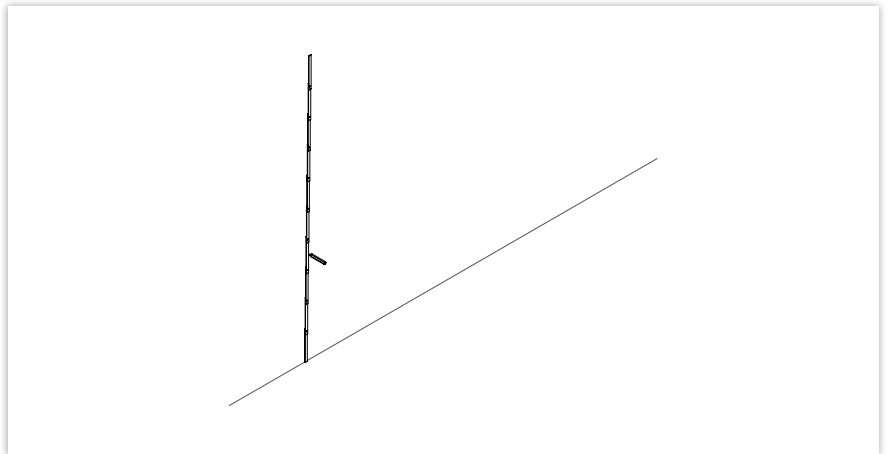
80 cm – 7 screw holes
120 cm – 11 screw holes
160 cm – 15 screw holes
200 cm – 19 screw holes
240 cm – 23 screw holes

For the installation the following tools are necessary:

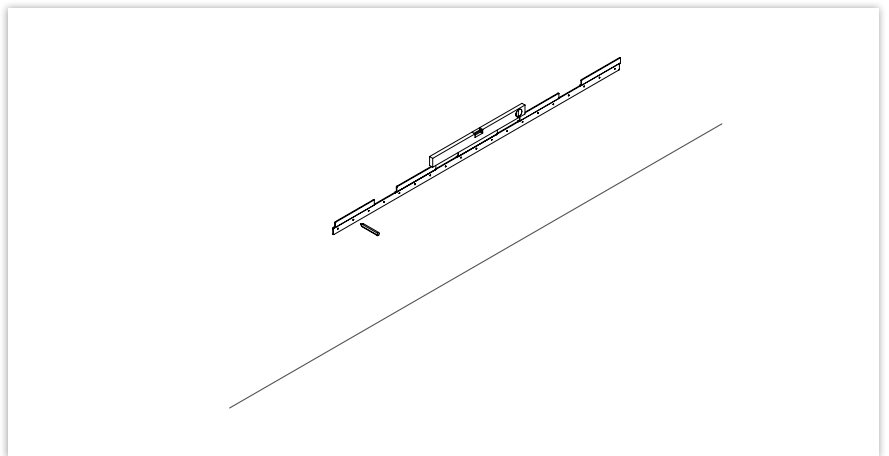
Foot rule
Pencil
Air level
Boring machine
Borer suitable for the used anchor bolt
Cordless screwdriver or turnscrew

The system is no ladder. Climbing, sitting or standing on the elements is not permitted.

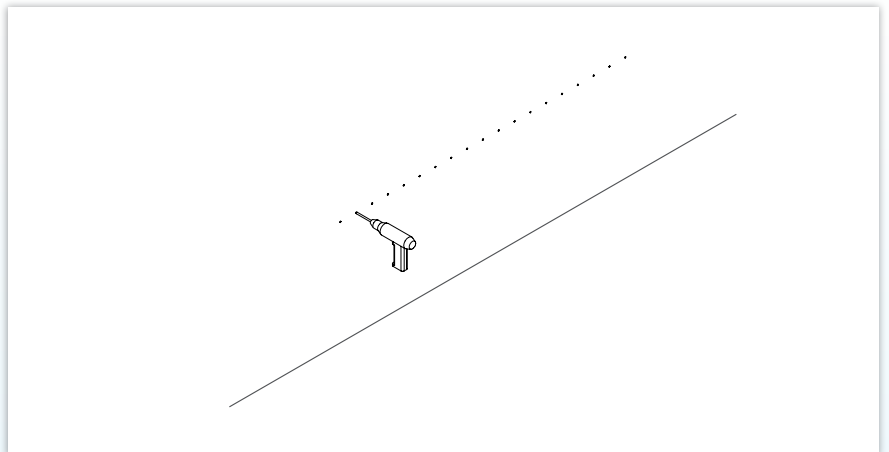
Please define the position for the horizontal wall profile. The screw holes are nearly 6 cm below the top edge of the corpora. When mounting at a height of 66 cm (boring) a corpus is placed at the table height of 72 cm.

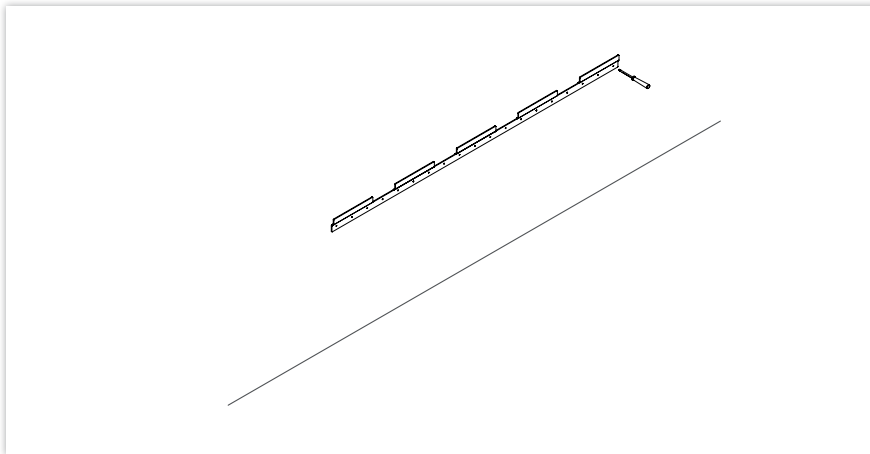


Set up the profile horizontally with the help of an air level and mark all bore holes.

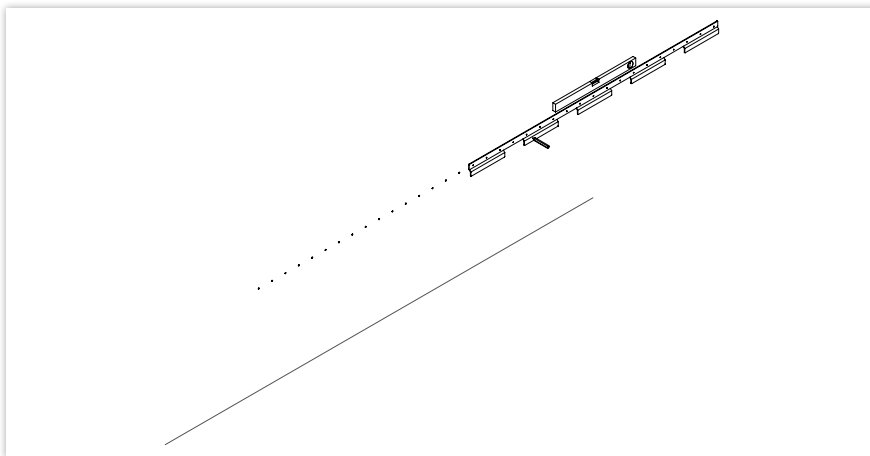


Please use the borer suitable for the used anchor bolts and bore all marked holes.

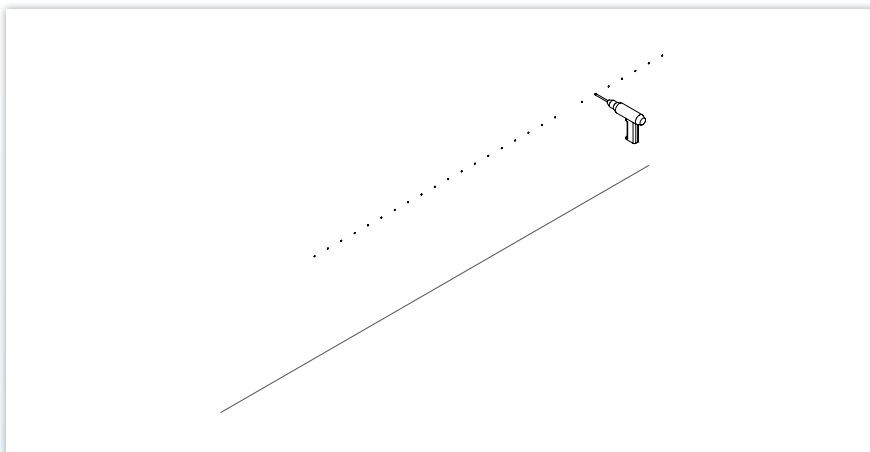




The profile can now be mounted at the wall if no further profile shall be mounted. If further profiles shall be mounted at the same height please fix the first profile with a screw at the last bore hole. Do not tighten the screw too strong.

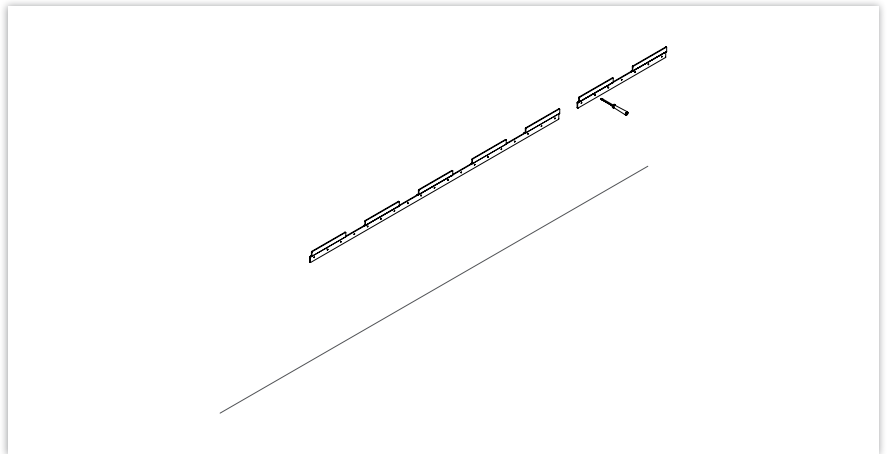


The profile has to be rotated by 180 degrees in the horizontal line. Put the air level on the profile, set it up and draw from the third bore hole in the profile further holes for the second horizontal wall profile. The distance of the bore holes in the profiles are placed in a grid of 10 cm.

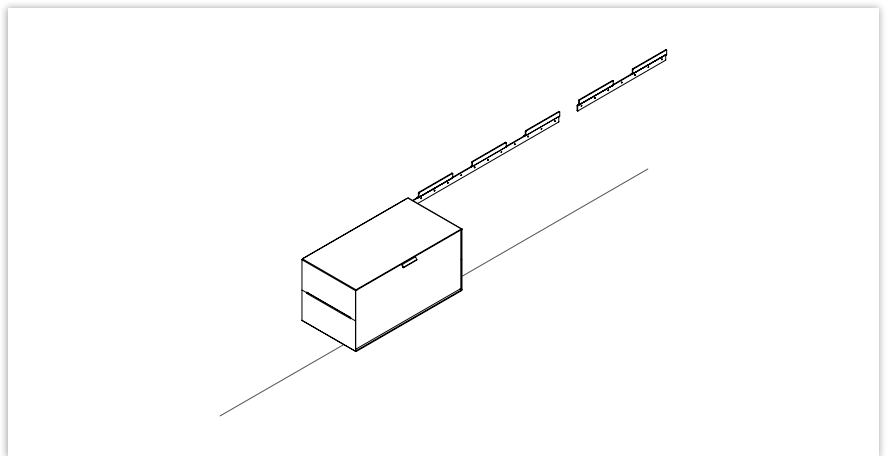


Bore all holes for the second profile. If further profiles shall be mounted use the wall profile as mounting template again.

After the boring all profiles can be fixed to the walls with the supplied screws.



The corpora can be hung on the profile. While doing this it's possible to adjust slightly the distance of the corpus to the wall in the horizontal way.



Each corpus has two feet on its rear lower edge. With these feet the distance of the corpus to the wall can be adjusted. This is important to bring the corpora in the horizontal and to ensure the functionality of the folding doors and drawers.

