



Mounting instruction

Vertical wall profile

Vertical wall profiles will be screwed on the wall at intervals of 80 and 120 cm. They allow the hanging of different elements. Because of the fact that the upper and lower screw holes each have a distance from 2 cm to the end of the profile, that means they are the same at the top and the bottom, it is not necessary to consider the direction of the profile while mounting it. For mounting proof and resilient walls are required. Please keep a distance from 3 - 4 cm on the right and the left of the outer profiles for an easy installation. For the total mass outside the grid dimensions (80 or 120 cm) have to be summed up and 2.1 cm have to be added. The total depth of the shelving system (without grips) is the depth of the shelf or of the corpus 40 cm + 3.3 cm. The grid for the bottom supports is 4 cm for optimal height classifications. If profiles will be added on each other the grid will be continued equally.

Please check the content of the mounting accessories box if it is complete with the help of the internal delivery note. For the mounting the following additional articles are necessary:

Anchor bolts suitable for the particular wall. The number depends on the used vertical wall profiles:

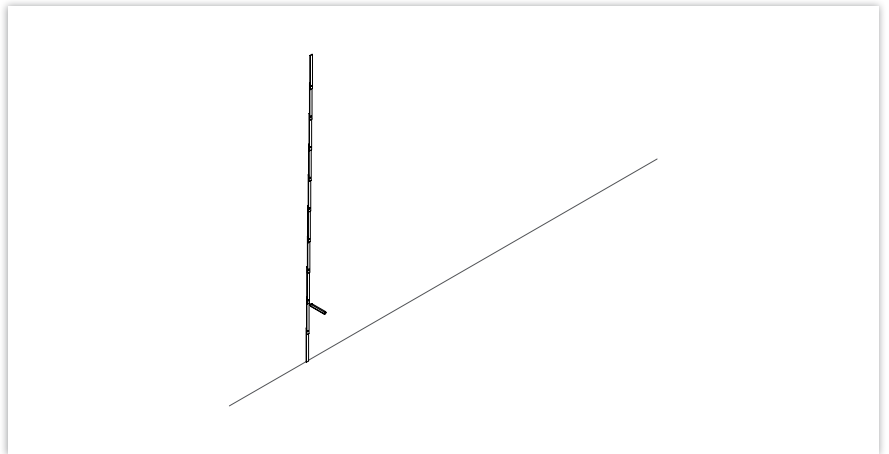
- 84 cm – 5 screw holes
- 104 cm – 6 screw holes
- 124 cm – 7 screw holes
- 144 cm – 8 screw holes
- 164 cm – 9 screw holes
- 184 cm – 10 screw holes
- 204 cm – 11 screw holes
- 224 cm – 12 screw holes

For the installation the following tools are necessary:

Foot rule, Pencil, Air level, Boring machine, Borer suitable for the used anchor bolt, Cordless screwdriver or turnscrew

The system is no ladder. Climbing, sitting or standing on the elements is not permitted.

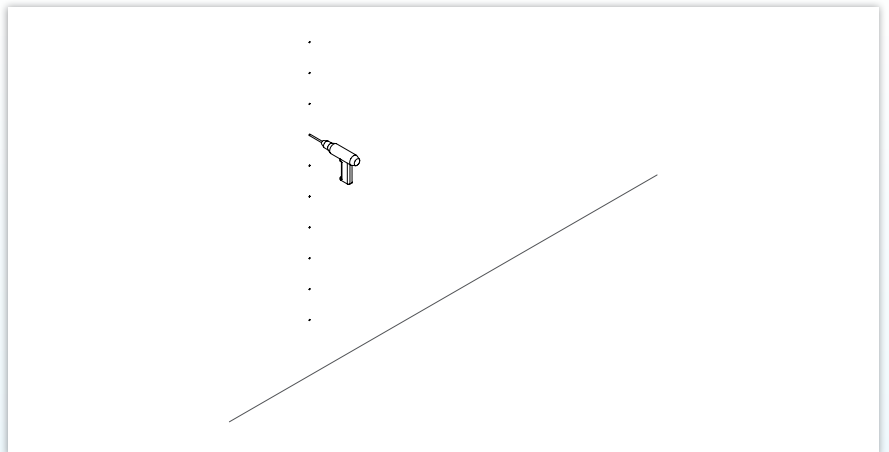
Please define the position of the first vertical wall profile. At the beginning of the mounting at a height of 32 cm (bore 34 cm) a corpus is placed at the table height of 72 cm.

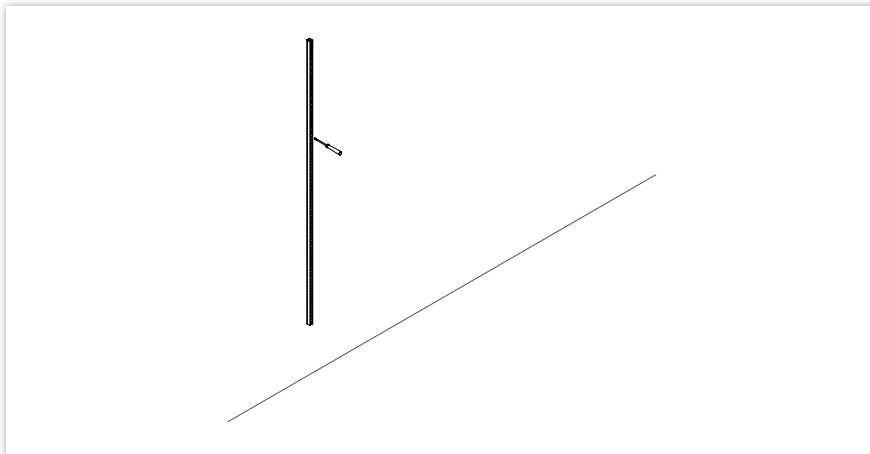


Set up the profile vertically with the help of an air level and mark all bore holes.

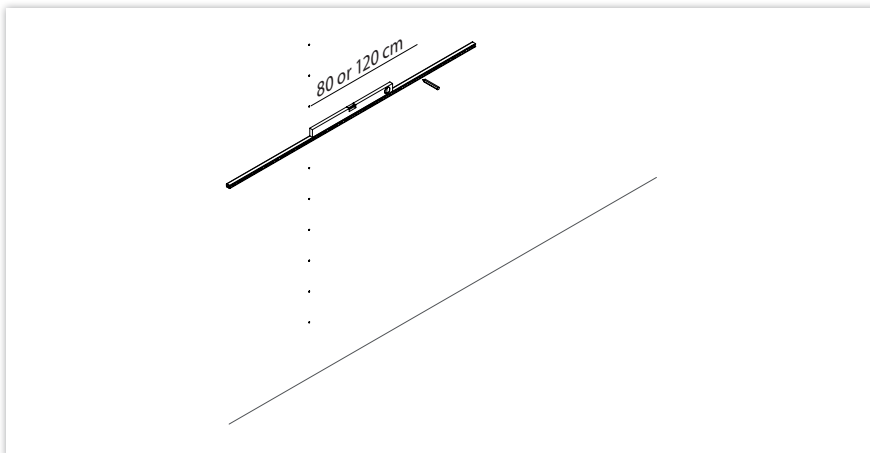


Please use the borer suitable for the used anchor bolts and bore all marked holes. Then insert the anchor bolts.

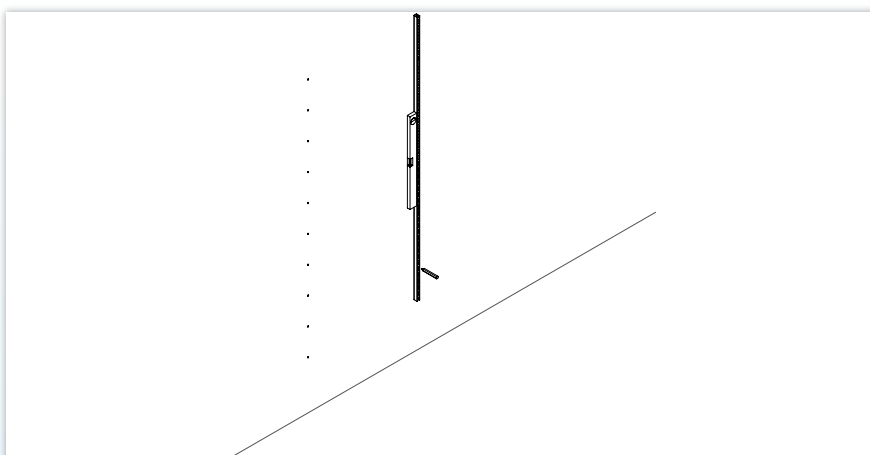




Fix the profile with one screw at any bore hole. Do not tighten the screw too strong.

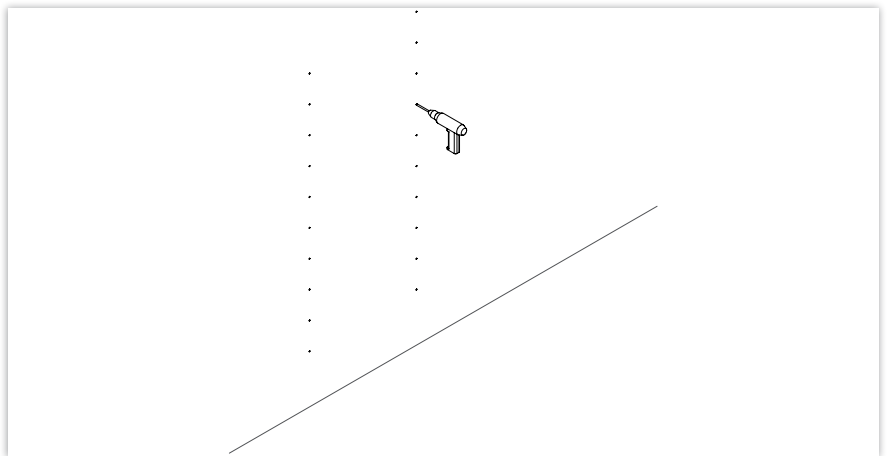


The profile has to be rotated by 90 degrees. Put the air level on the profile, set it up and mark a bore hole for the second vertical wall profile. The distance of the bore holes in the profiles are placed in a grid of 20 cm so that you have only to count the holes for the grid dimension 80 and 120 cm. Now you have determined the first hole for the positioning of the second profile.

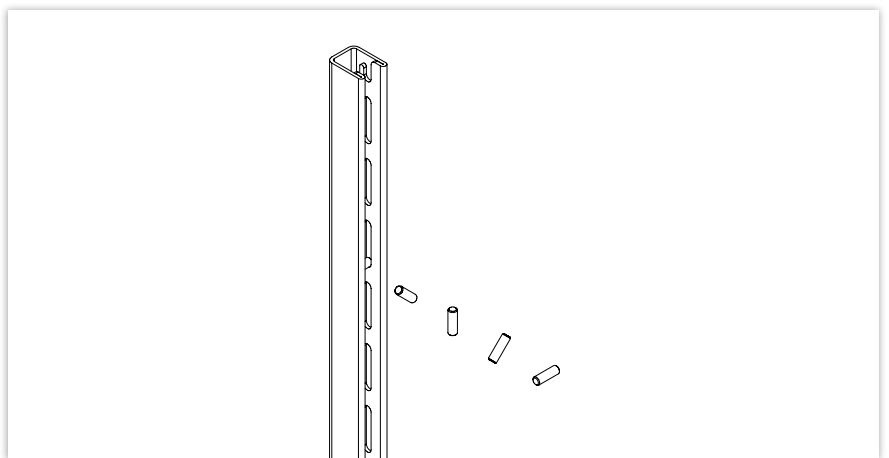


Set up the second profile vertically with an air level and mark the bore holes again.

Bore all holes of the second profile. If further profiles shall be mounted use the wall profile again as mounting template. Then insert the anchor bolts. After the boring all the profiles can be fixed to the walls with the supplied screws.



The bottom supports can be frontal set in the profile by the supplied magnetic tool, they have to be rotated by 90° and are therefore safe in the hidden gridding of the profile. All elements that are provided for the vertical wall profile can be mounted in that they enter the top or the bottom of the profile. Their sides do have hooks at the rear upper end which rest on the bottom supports. Webs on the lower rear end retain the elements in the profile.



Each corpus has two feet on its rear lower edge. With these feet the distance of the corpus to the wall can be adjusted. This is important to bring the corpora in the horizontal and to ensure the functionality of the folding doors and drawers.

